



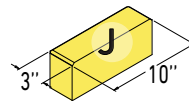
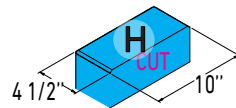
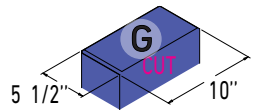
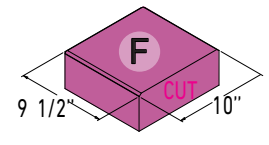
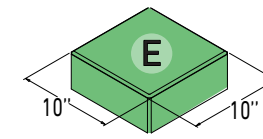
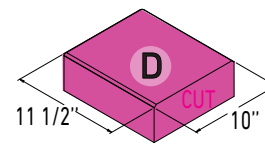
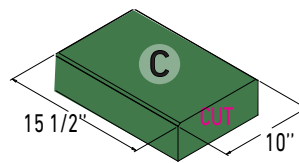
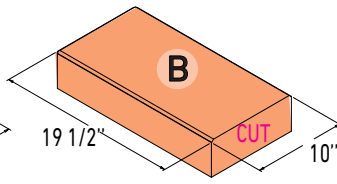
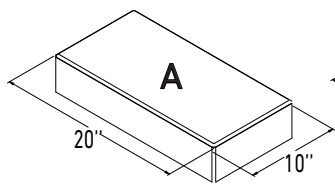
INSTALLATION GUIDE

MELVILLE™ WALL
GRILL ISLAND

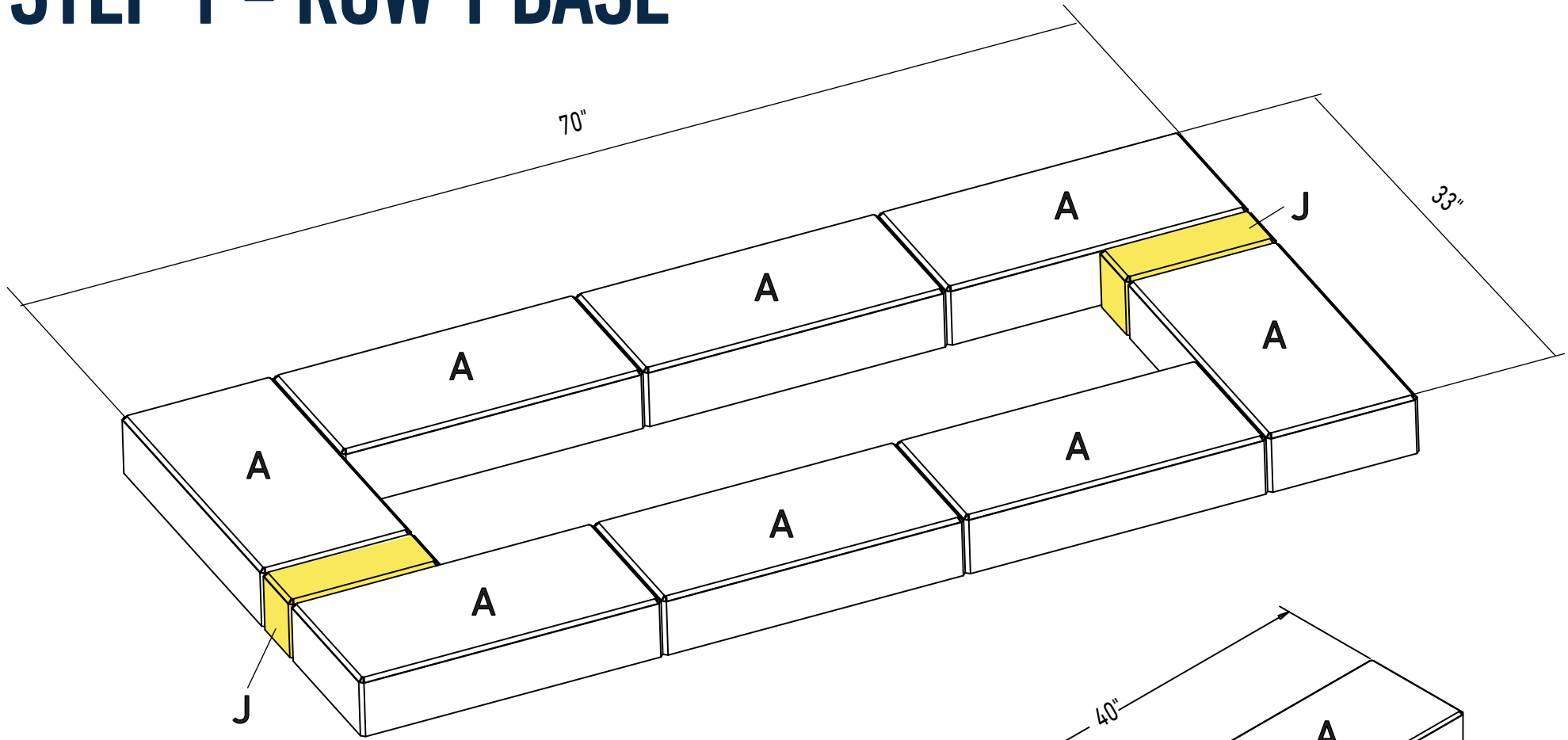


BLOCK MATRIX

		LENGTH	WIDTH	THICK	ROW 1	ROW 2	ROW 3	ROW 4	ROW 5	ROW 6	ROW 7	ROW 8	ROW 9	ROW 10	ROW 11	TOTAL
BRICKS	A	20"	10"	4"	8	5	6	6	6	6	6	7	5	5		60
	B	19.5"	10"	4"									1	1		2
	C	15.5"	10"	4"		1						1				2
	D	11.5"	10"	4"		2										2
	E	10"	10"	4"			1	1	1	1	1					5
	F	9.5"	10"	4"									1	1		2
	G	5.5"	10"	4"		1										1
	H	4.5"	10"	4"								1				1
	J	3"	10"	4"	2	2	2	2	2	2	2	2	2	2		20
CAPS	K	35.75"		0.75"											2	2
	L	31"		0.75"											1	1

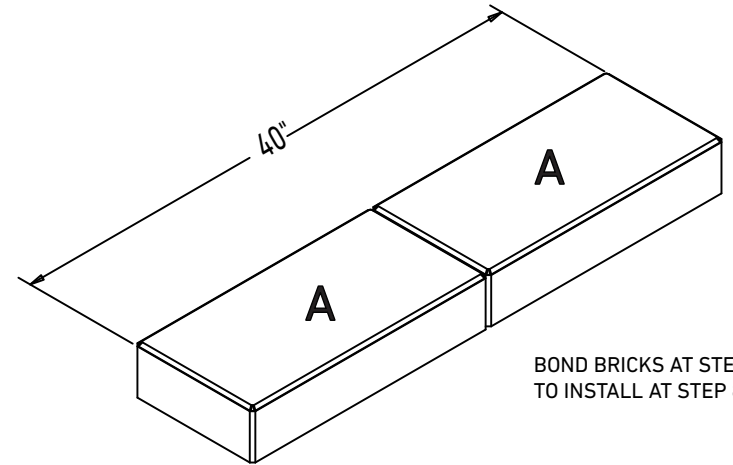


STEP 1 - ROW 1 BASE



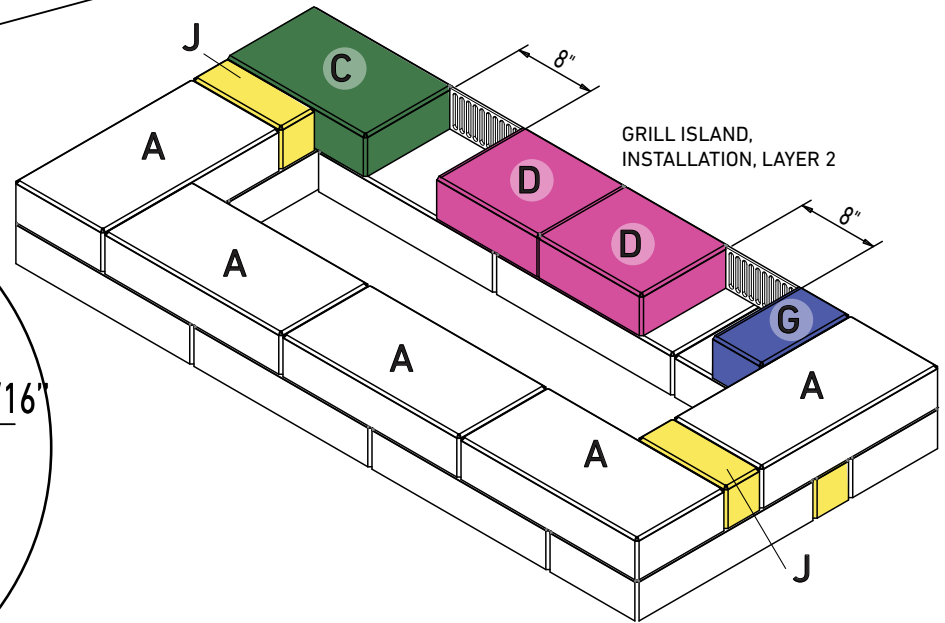
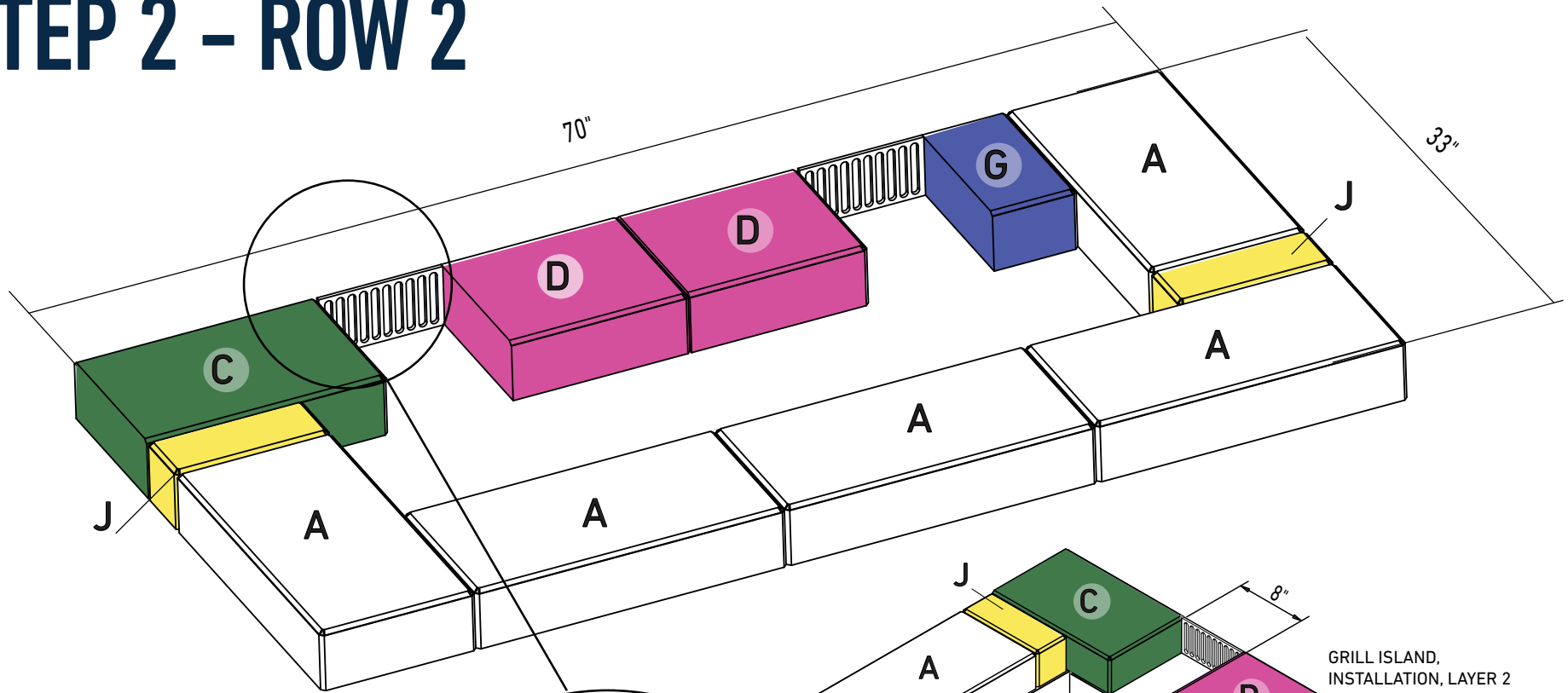
INSTRUCTIONS

1. Create a level base to build unit on top of. Leave a minimum of 6 -12" of gap behind grill unit to allow for venting.
2. Lay block on prepared base according to diagram.
3. Glue two blocks end to end and set aside for future use. Make sure it's on a solid, level surface.



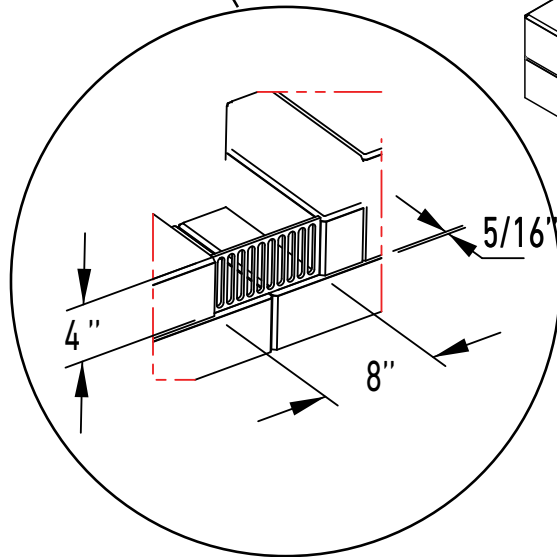
BOND BRICKS AT STEP 1
TO INSTALL AT STEP 8

STEP 2 - ROW 2

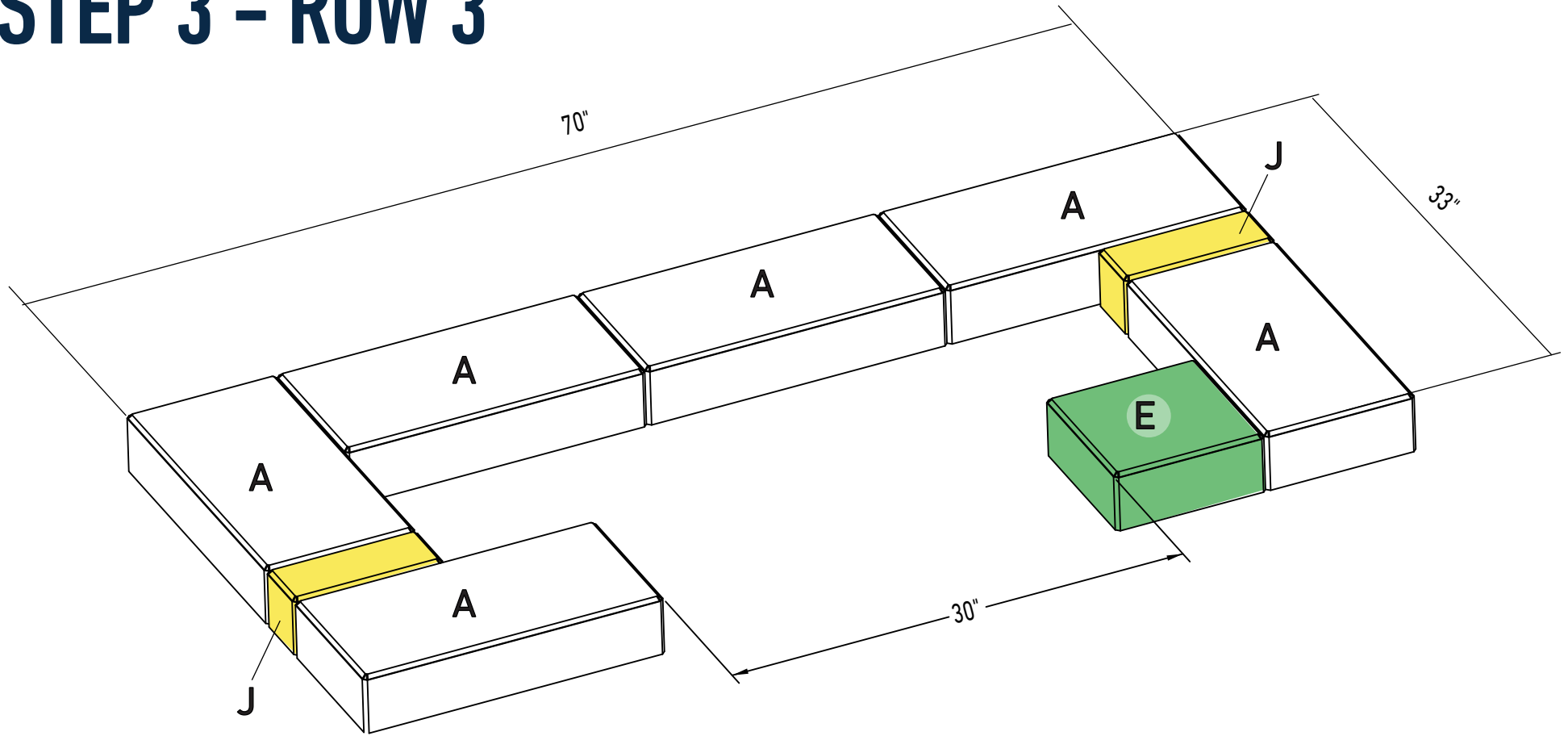


INSTRUCTIONS

1. Layout the next row on top according to pattern in diagram.
2. Modify venting plate to fill gap as shown.
3. Glue block in place and mount vent as shown. Make sure units are square and level. Place cut ends against another block and not exposed.



STEP 3 - ROW 3

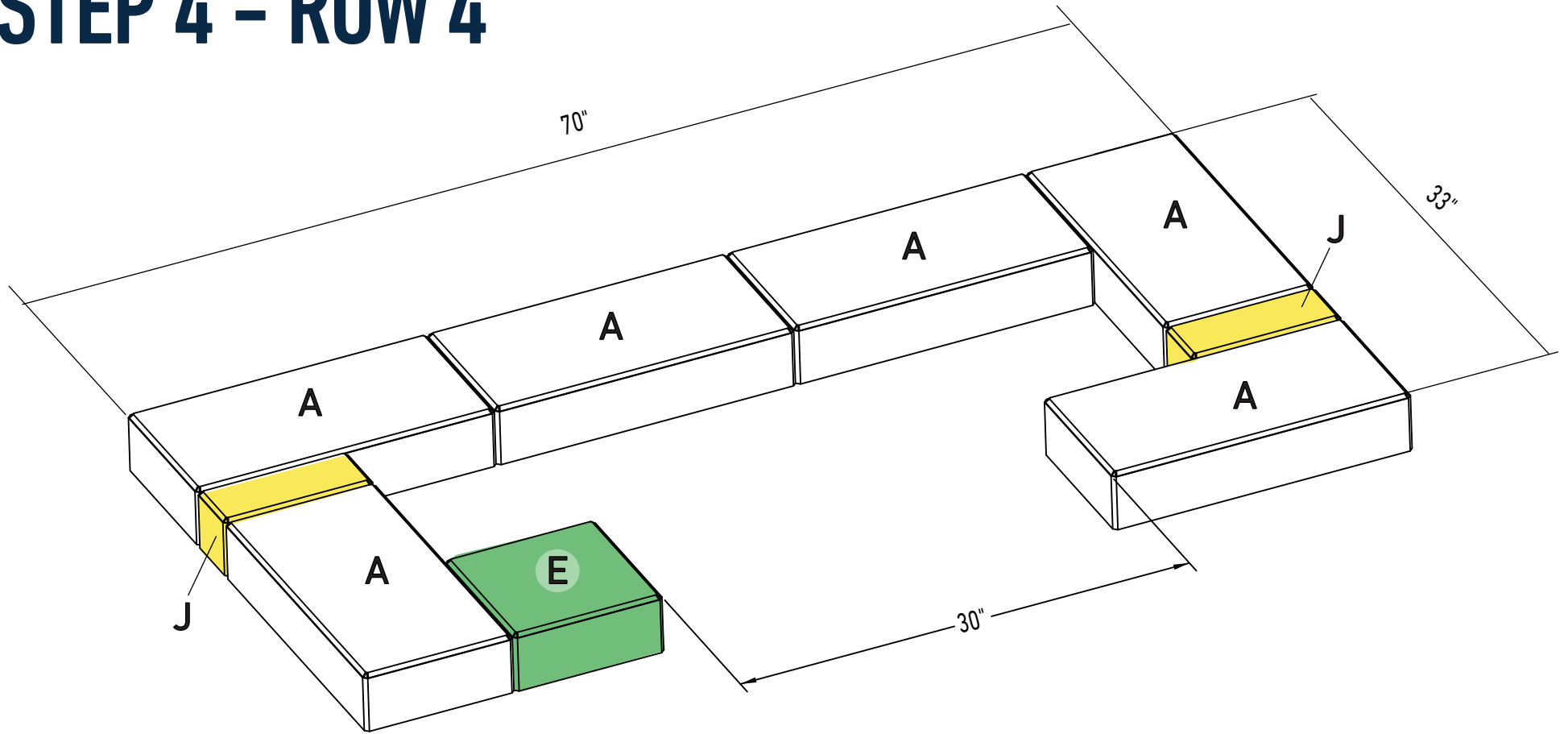


INSTRUCTIONS

1. Layout the next row on top of previous row according to pattern shown.
2. An opening is left for storage access in future steps.
3. Glue block to prior row after checking that it's level and square. Verify opening sizes.

**Rows 3, 5, and 7 are the same laying pattern.*

STEP 4 - ROW 4

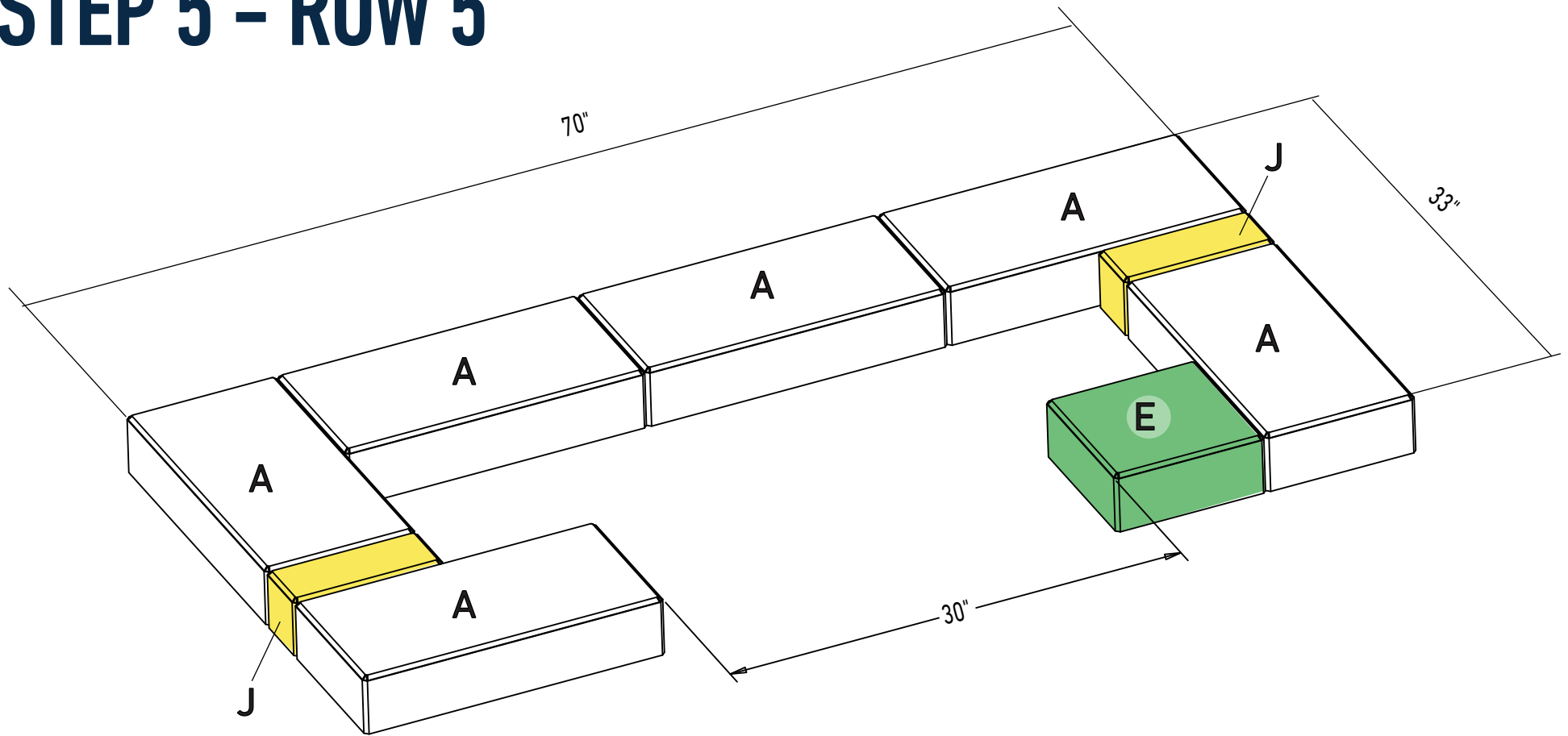


INSTRUCTIONS

1. Layout row according to diagram.
2. Glue block in place. Verify row is square and level.
Opening should be a consistent 30".

Rows 4 and 6 are the same pattern.

STEP 5 - ROW 5

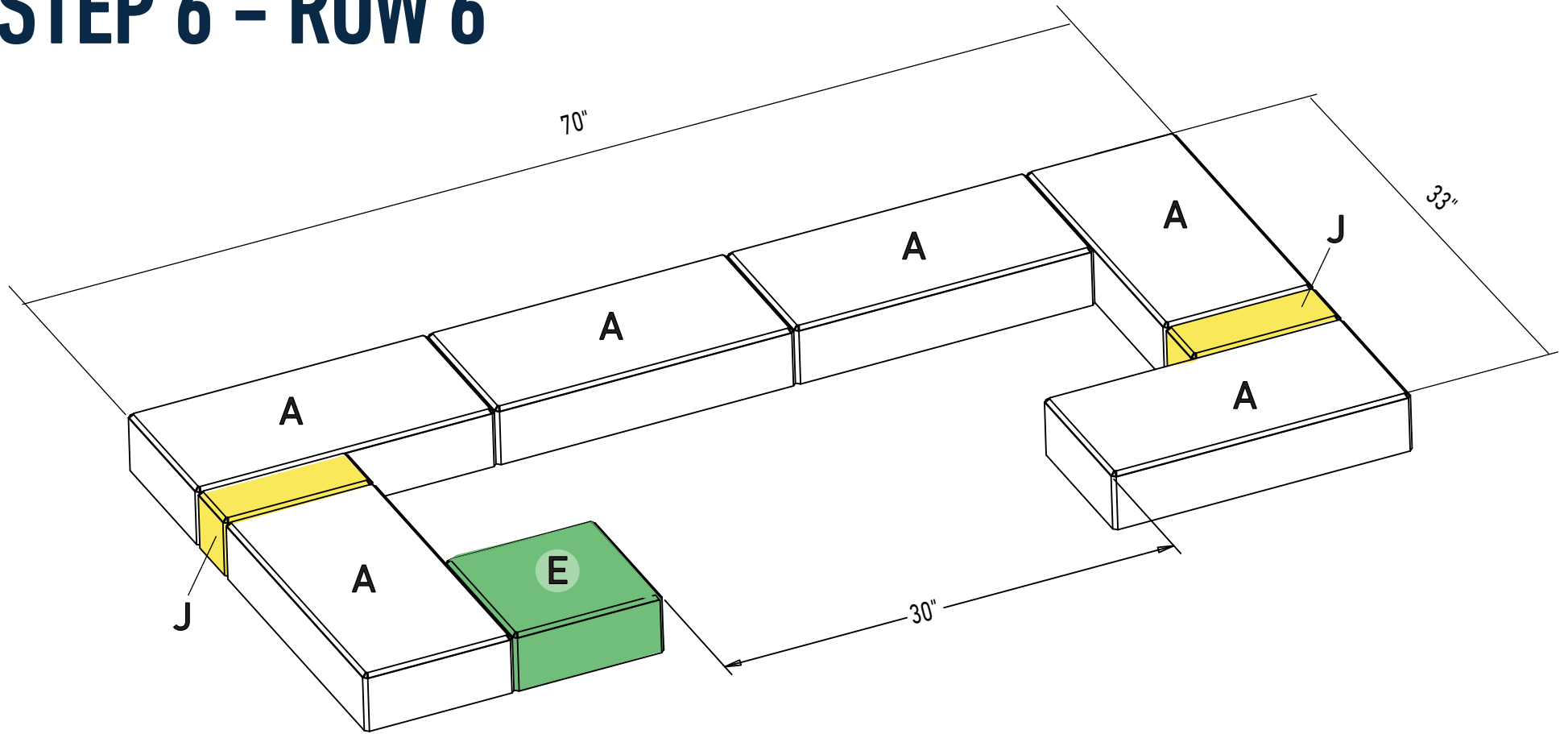


INSTRUCTIONS

1. Layout the next row on top of previous row according to pattern shown.
2. An opening is left for storage access in future steps.
3. Glue block to prior row after checking that it's level and square. Verify opening sizes.

**Rows 3, 5, and 7 are the same laying pattern.*

STEP 6 - ROW 6

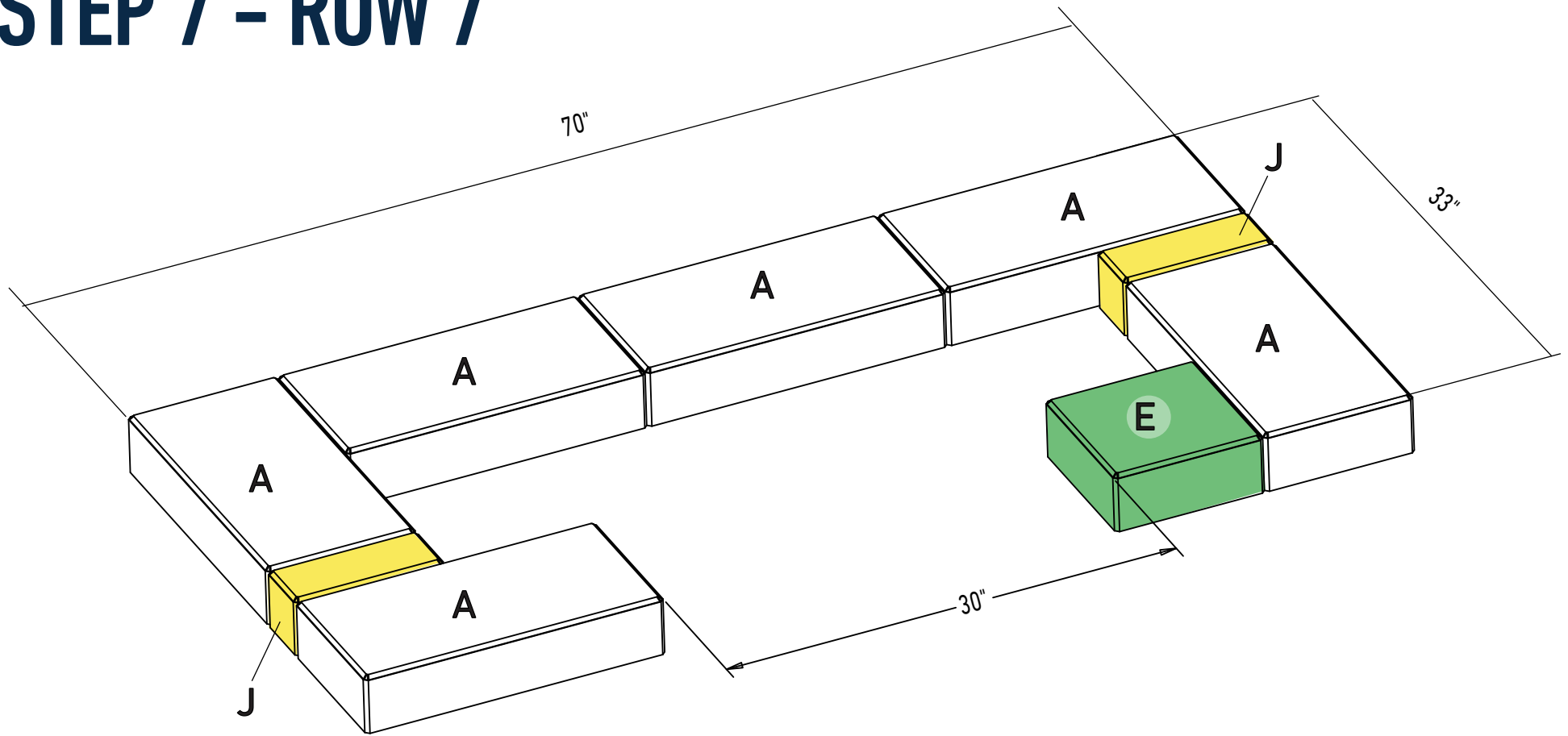


INSTRUCTIONS

1. Layout row according to diagram.
2. Glue block in place. Verify row is square and level.
Opening should be a consistent 30".

Rows 4 and 6 are the same pattern.

STEP 7 - ROW 7

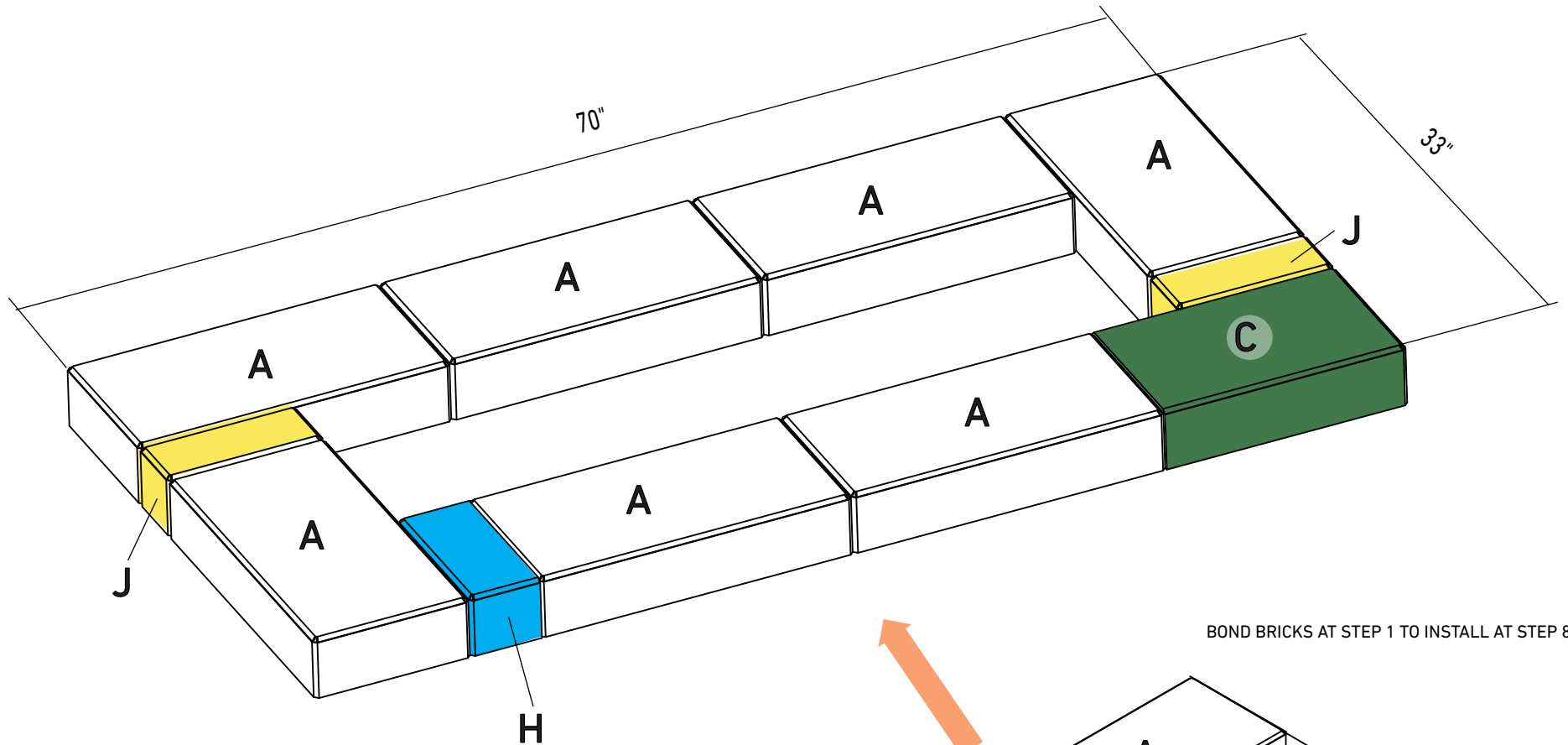


INSTRUCTIONS

1. Layout the next row on top of previous row according to pattern shown.
2. An opening is left for storage access in future steps.
3. Glue block to prior row after checking that it's level and square. Verify opening sizes.

**Rows 3, 5, and 7 are the same laying pattern.*

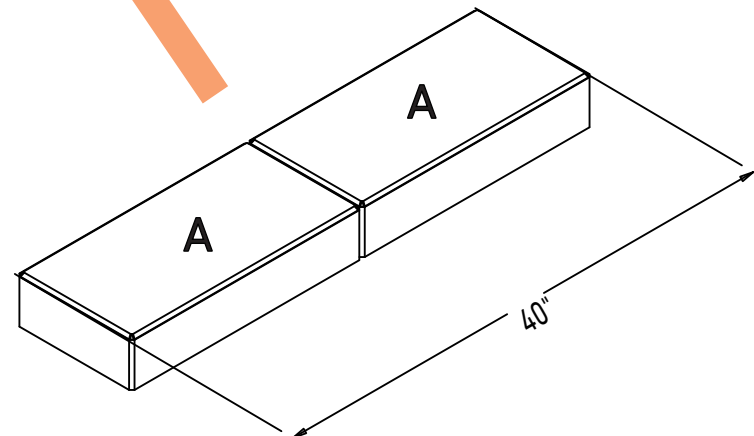
STEP 8 - ROW 8



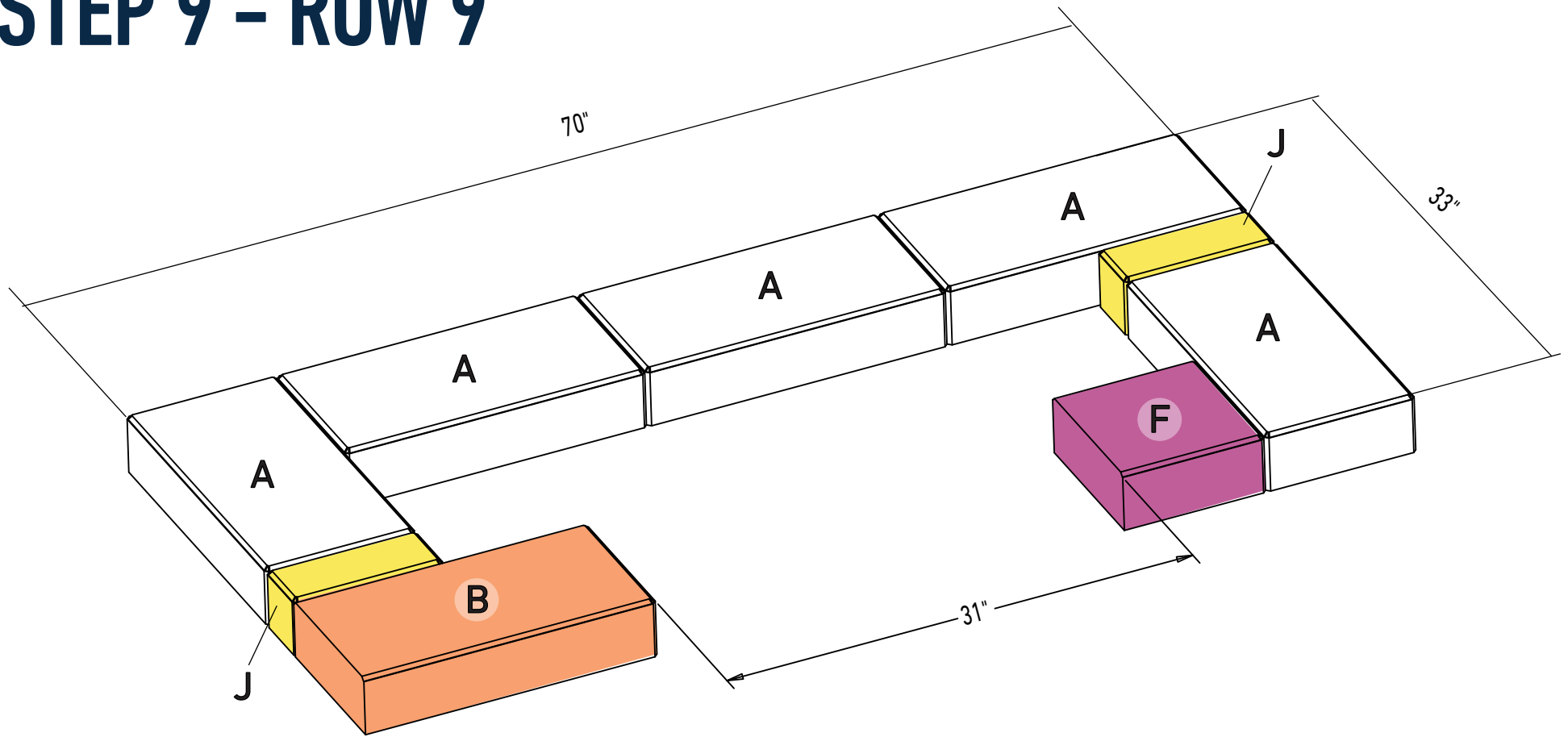
BOND BRICKS AT STEP 1 TO INSTALL AT STEP 8

INSTRUCTIONS

1. Layout row according to diagram.
2. Beam block was glued together in step 1. Place beam over opening according to diagram. Make sure row is level and square.



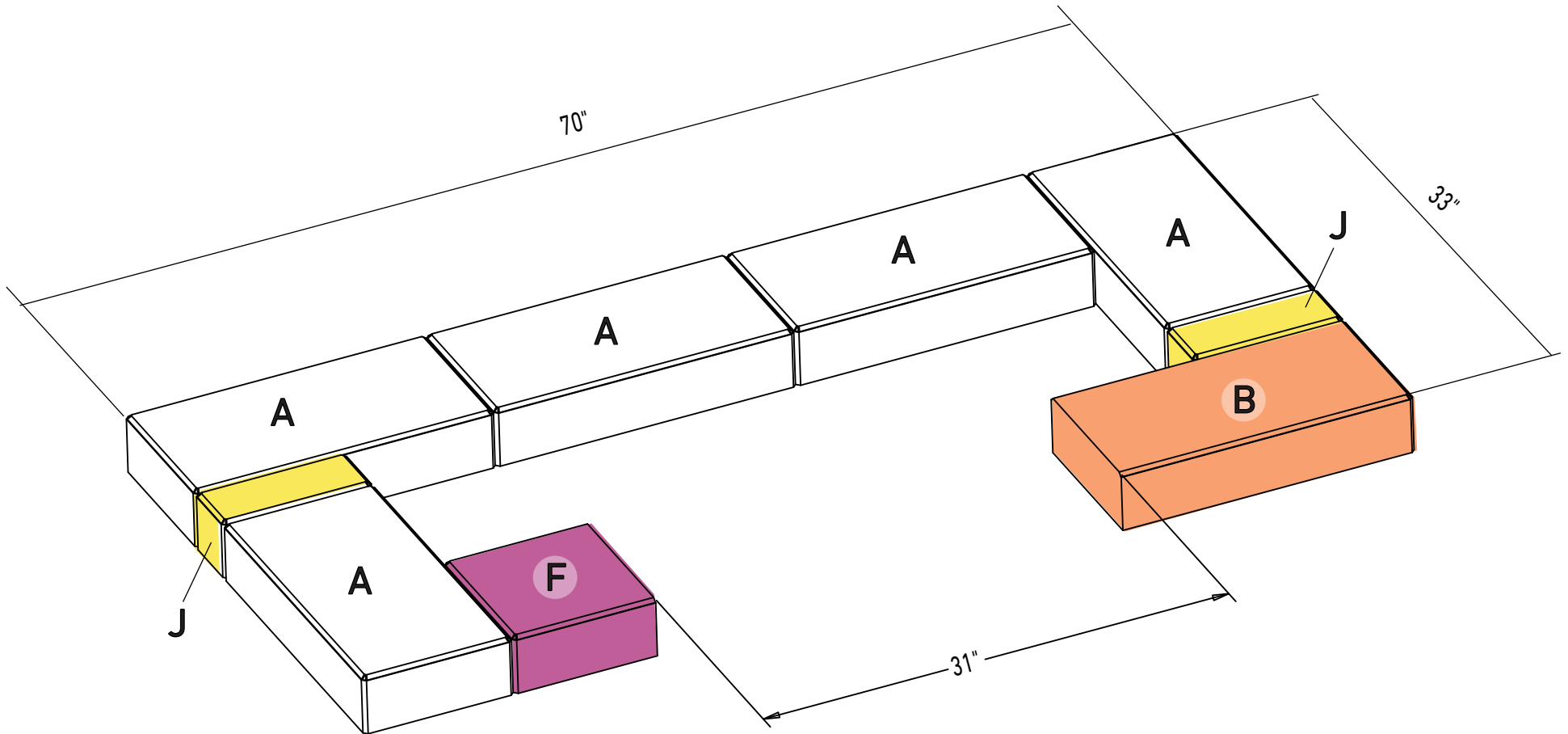
STEP 9 - ROW 9



INSTRUCTIONS

1. Layout row according to diagram.
2. Grill head opening is created in this step. *Please note opening size as shown.*

STEP 10 – ROW 10

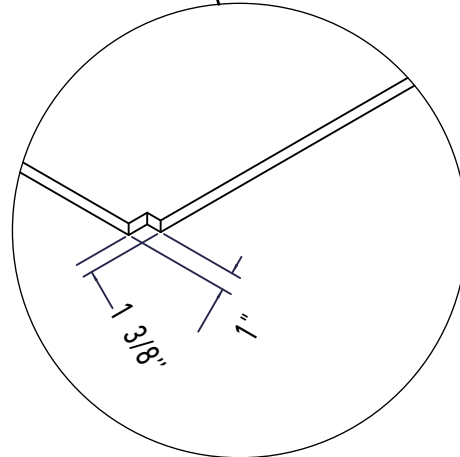
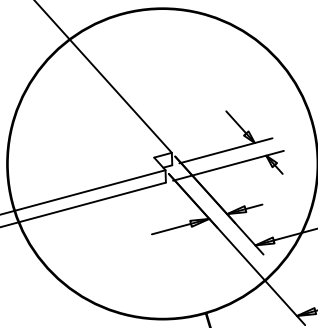
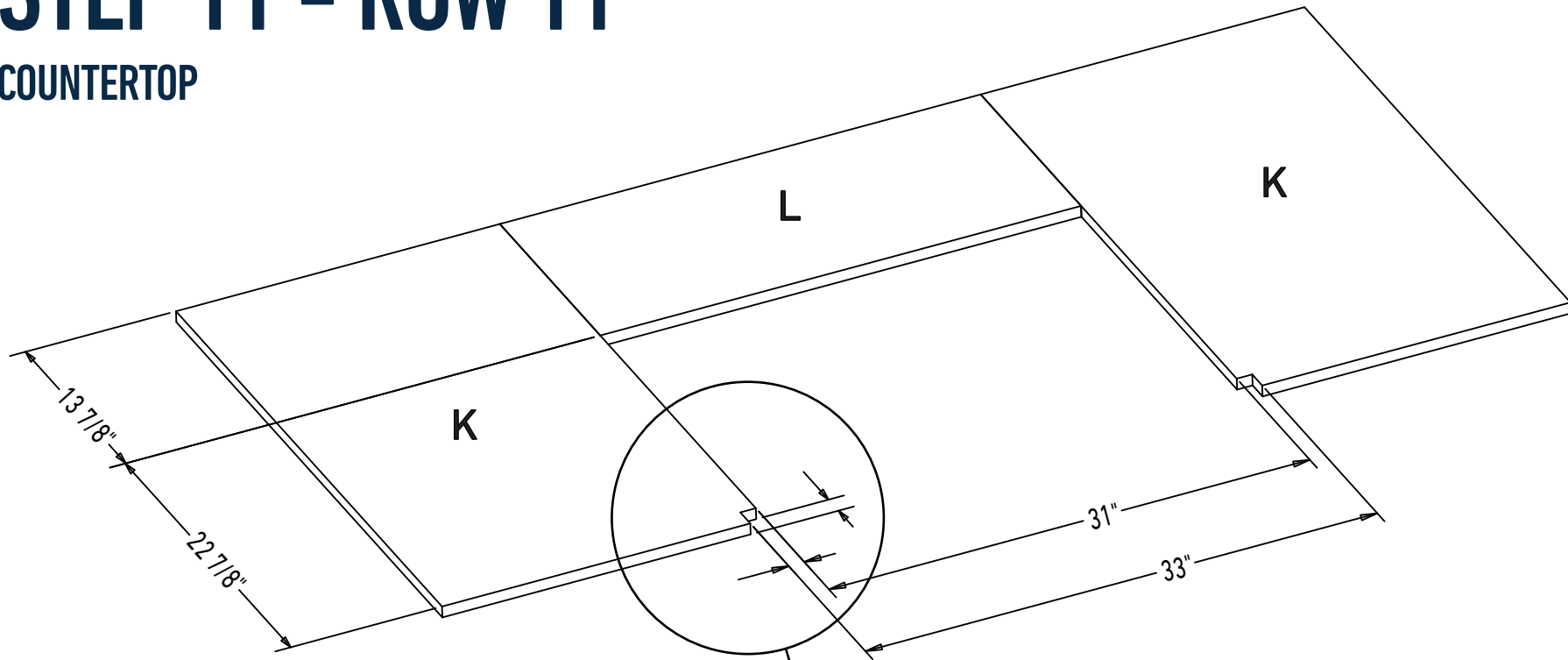


INSTRUCTIONS

1. Layout row according to diagram.
2. Glue block to previous row. Make sure row is level and square.

STEP 11 - ROW 11

COUNTERTOP



TYPICAL COUNTERTOP CUTOUT

INSTRUCTIONS

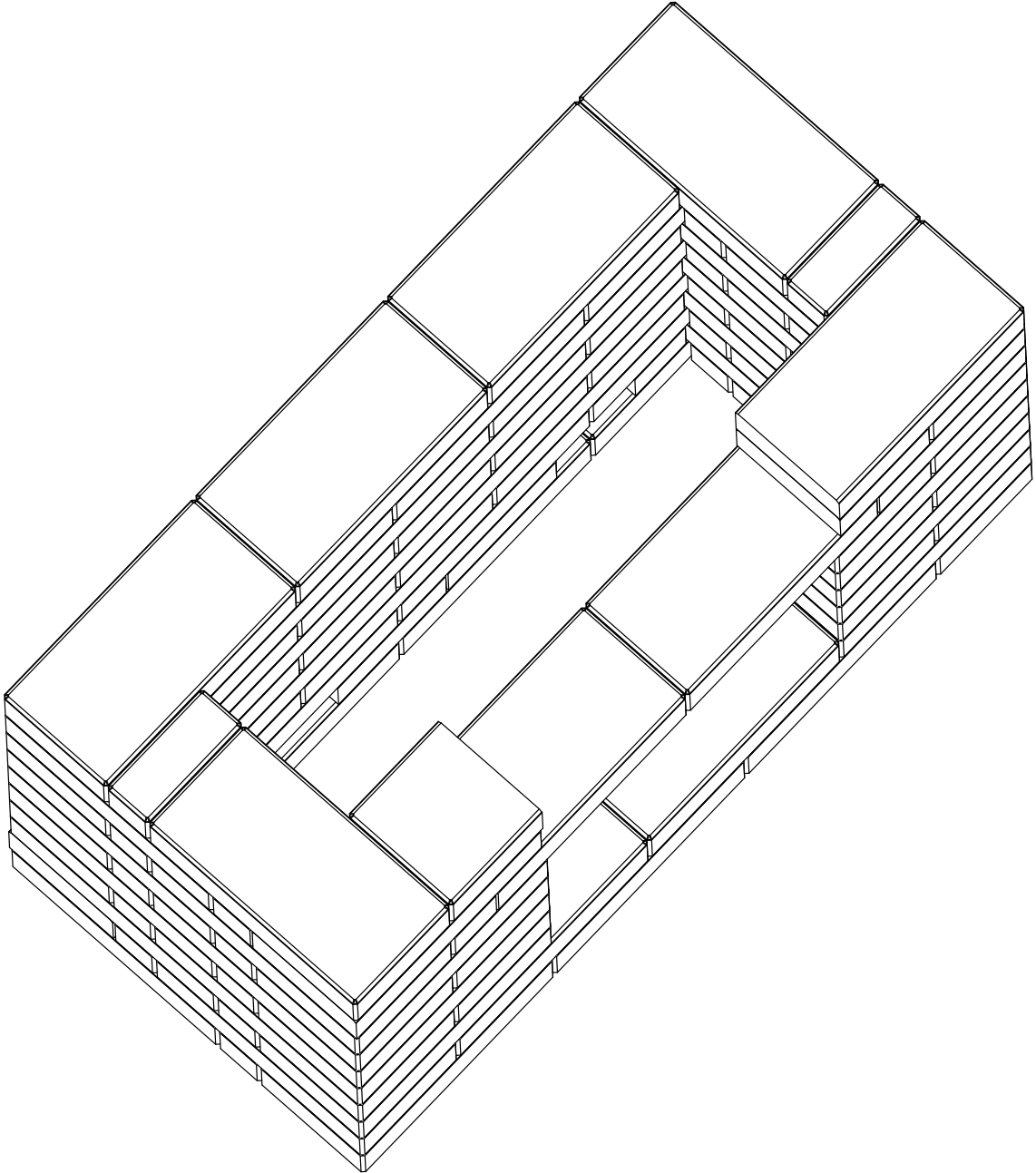
1. Layout countertop according to diagram provided. Overhang is $1\frac{3}{8}$ " on all sides.

DO NOT glue units yet. Make sure grill fits properly with opening provided.

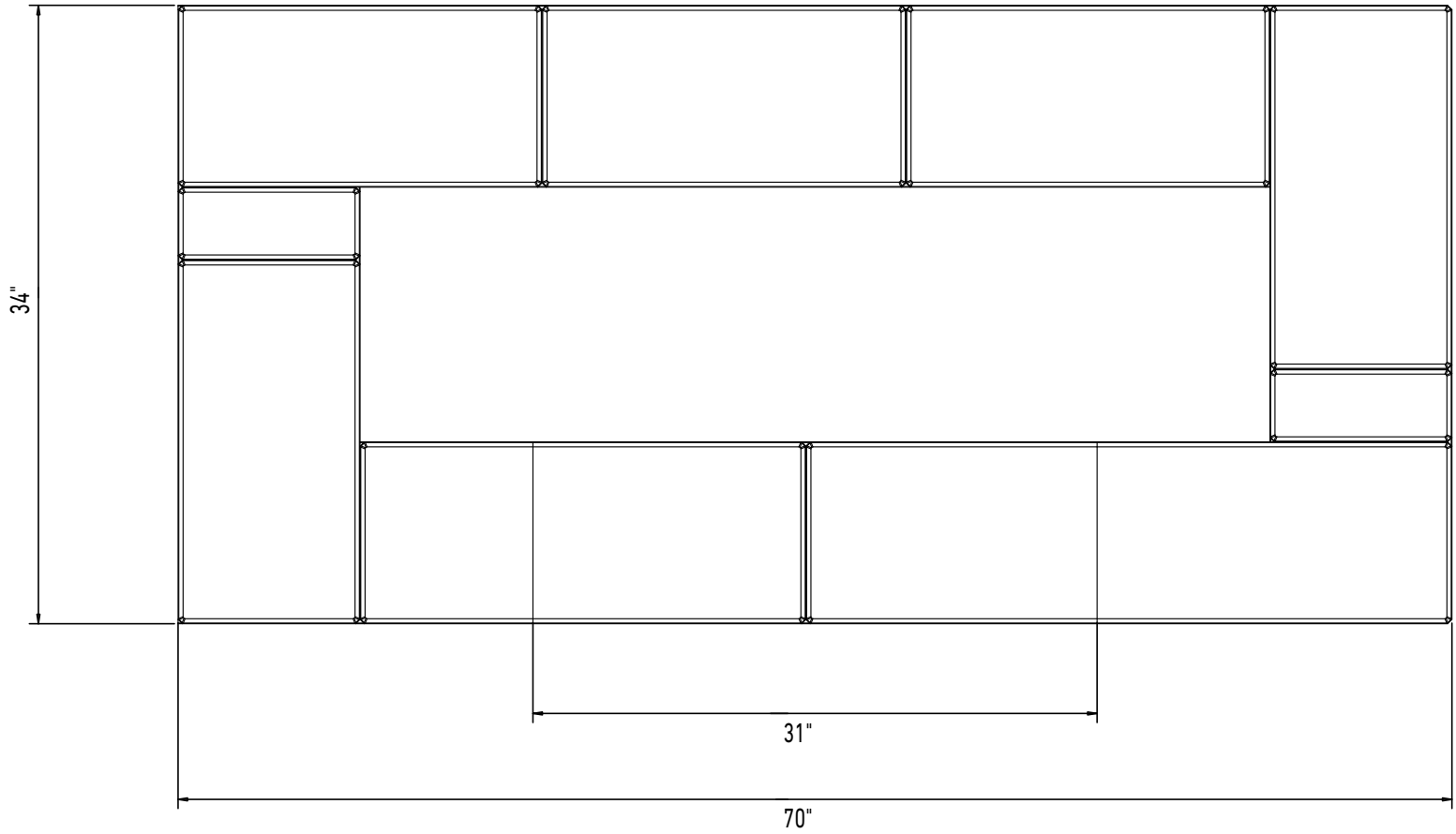
2. Once fitment is verified, remove each piece one by one and apply glue.

The back center piece (behind grill opening) will need a block set on top of it while it cures as a counter weight.

COMPLETED UNIT (WITHOUT COUNTERTOP)



COMPLETED UNIT (TOP VIEW)





BELGARD
PAVES THE WAY™

BELGARD.COM