

# ARTFORMS

PANEL SYSTEM

## INSTALLATION GUIDE



# TABLE OF CONTENT

## SYSTEM OVERVIEW

- 03 PARTS LIST
- 05 TOOLS & SAFETY EQUIPMENT
- 06 APPLICATIONS
- 07 MODULARITY – THE SYSTEM & REFERENCES
- 09 PANEL CONFIGURATIONS

## INSTALLATION

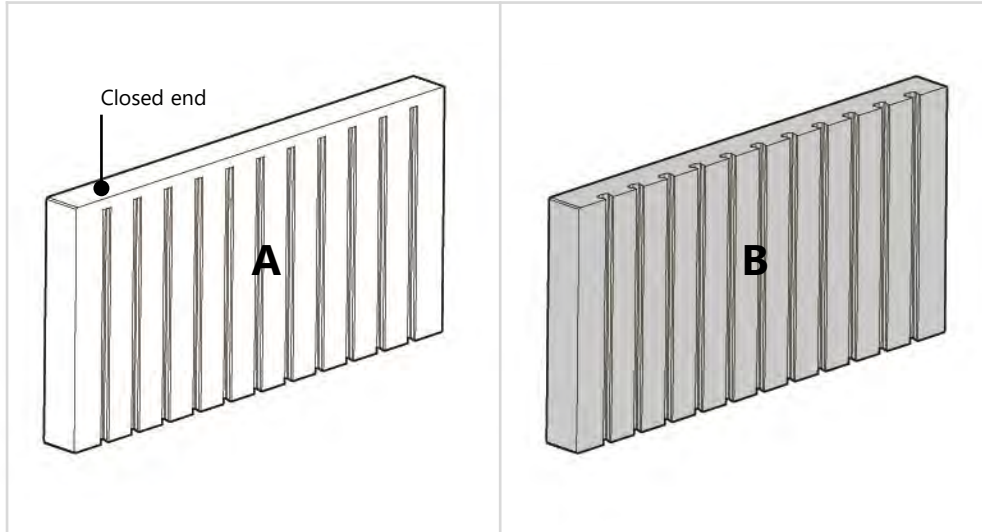
- 10 OUTER CORNER INSTALLATION
- 11 INNER CORNER INSTALLATION
- 12 JOINING PLATE INSTALLATION
- 13 STRETCHER BAR INSTALLATION
- 15 6x36 PANEL – COPING & ACCENT INSTALLATION
- 18 INTEGRATING WOOD
- 22 BASE PREPARATION
- 23 PLANTER BOX DETAIL
- 24 ROOFTOP APPLICATIONS
- 25 HANDLING
- 26 TIPS AND TRICKS

## TERMS & CONDITIONS

# PARTS LIST - CONCRETE PANELS

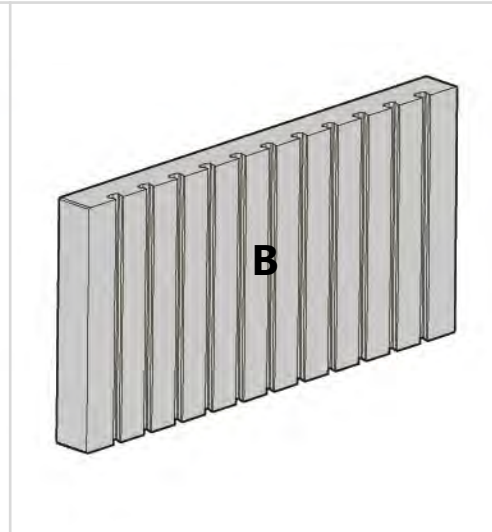
## 18 x 36 x 3" (150 lbs)

457 x 914 x 76 mm (67 kg)

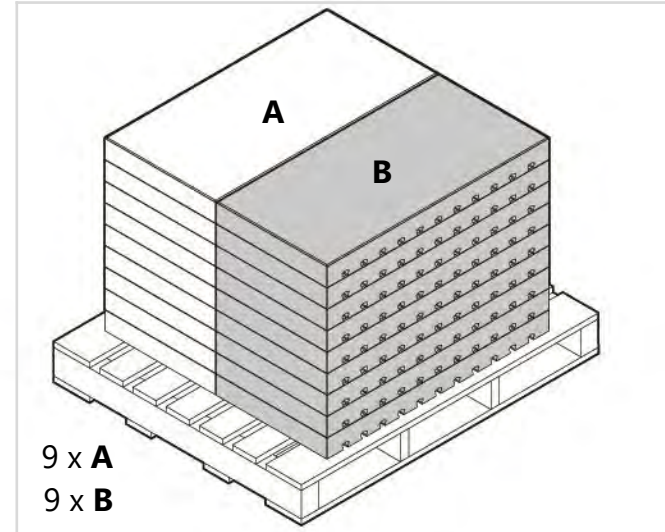


## 18 x 36 x 3" (148 lbs)

457 x 914 x 76 mm (66 kg)

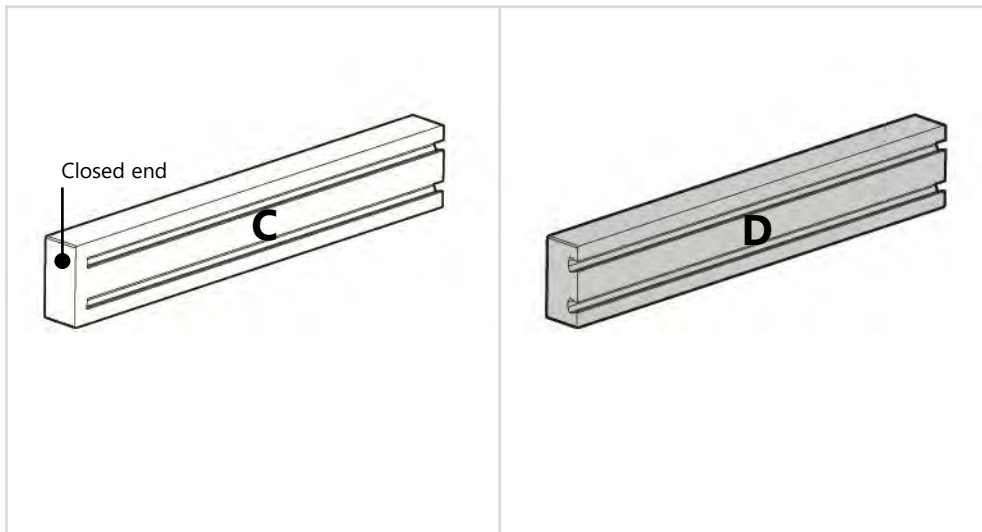


## \*40 x 48" Pallet (18 units/pallet)



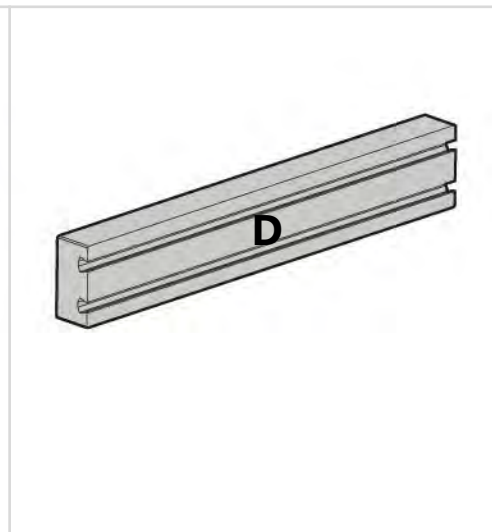
## 6 x 36 x 3" (49 lbs)

152 x 914 x 76 mm (22 kg)

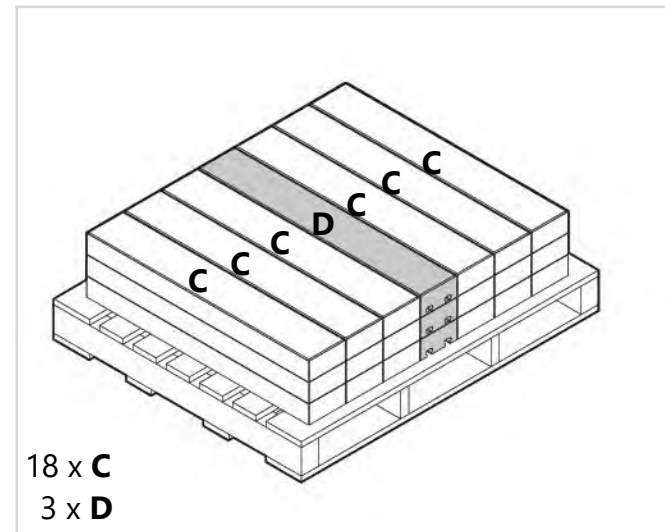


## 6 x 36 x 3" (49 lbs)

152 x 914 x 76 mm (22 kg)



## \*40 x 48" Pallet (21 units/pallet)

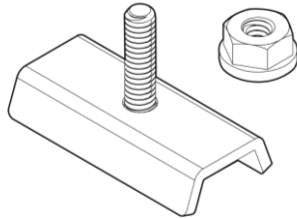


**\*IMPORTANT:** 18x36" panels are sold in pair/layer or in full pallet only. 6x36" panels are sold per unit or in layer or in full pallet.

## PARTS LIST - HARDWARE (STAINLESS STEEL)

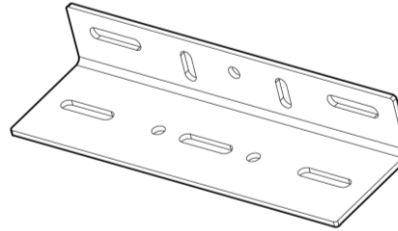
### **Anchor Slide – ¼" x 20 stud & nut**

2 x 1¼ x 1" (51 x 33 x 25 mm)  
100 units/box



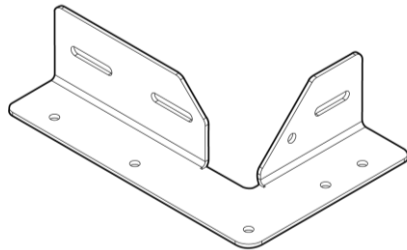
### **\*Joining Plate**

8¼ x 2½ x 1½" (209 x 63 x 38 mm)  
40 units/box



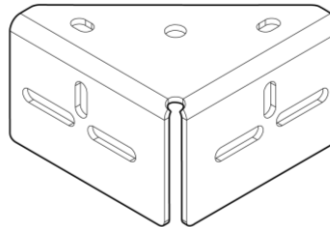
### **\*Inner Corner**

9 x 6 x 2½" (232 x 155 x 63 mm)  
24 units/box



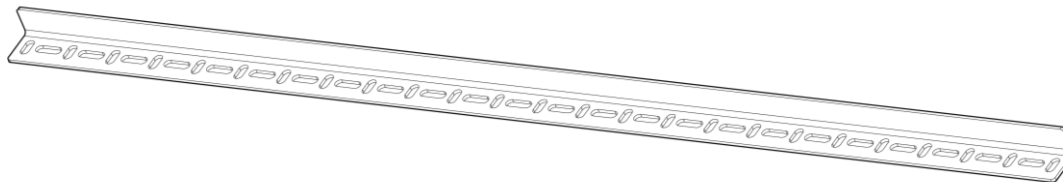
### **\*Outer Corner**

4 x 4 x 2½" (101 x 101 x 63 mm)  
48 units/box



### **\*Stretcher Bar**

36¾ x 1¼ x 1" (933 x 33 x 25 mm)  
10 units/box

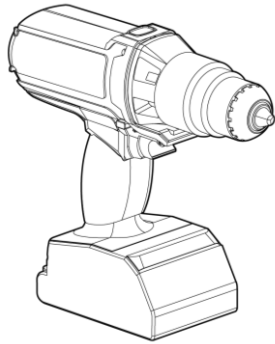


\* **NOTE:** Can be sold separately.

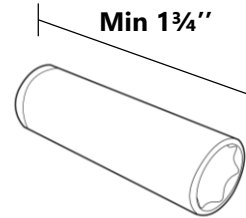
# TOOLS & SAFETY EQUIPMENT

## REQUIRED TOOLS

**Drill**



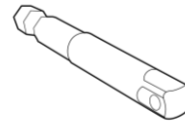
**Deep Hex Socket  
7/16" with 1/4"  
Drive**



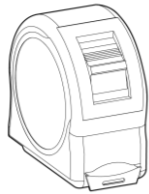
**Mallet**



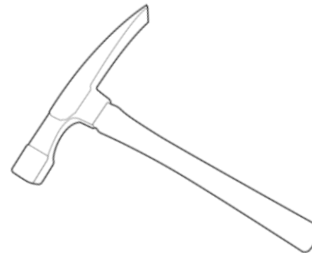
**Socket Adaptor  
1/4" Hex shank to  
1/4" Drive**



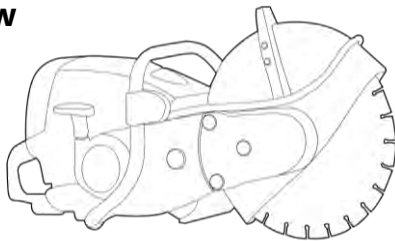
**Measuring  
tape**



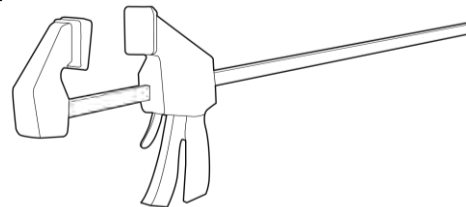
**Chipping  
Hammer**



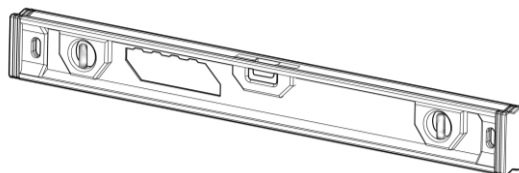
**Saw**



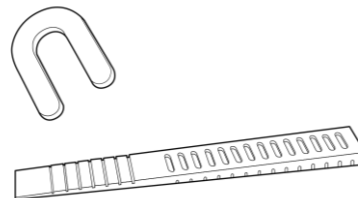
**Bar Clamp (48")**



**Level**



**Plastic shims**



## SAFETY EQUIPMENT

**Safety boots**



**Gloves**



**Safety glasses**

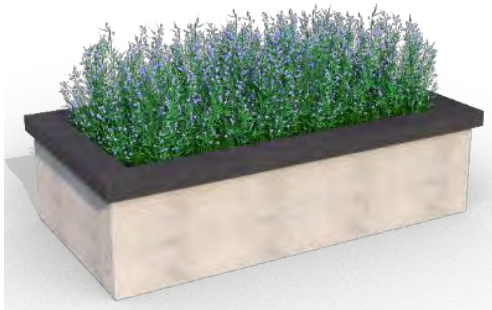


**Mask**



# APPLICATIONS

## Planter Box/Bench



## Privacy Wall



## \* Firepit



## Furniture



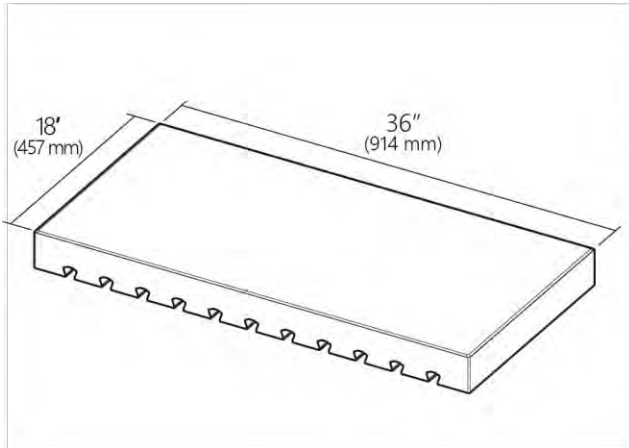
## \* Outdoor Kitchen



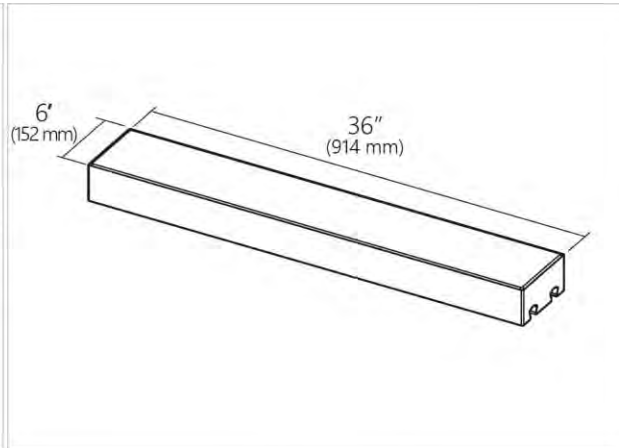
**\* IMPORTANT:** For all complementary appliances/accessories to the **Artforms panel system**, follow manufacturer's instructions/guidelines. Consult qualified services people/ experts to validate installations, repairs, safety recommendations and any other related topics.

# MODULARITY – THE SYSTEM

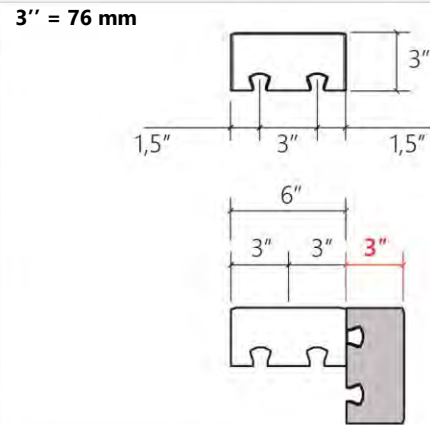
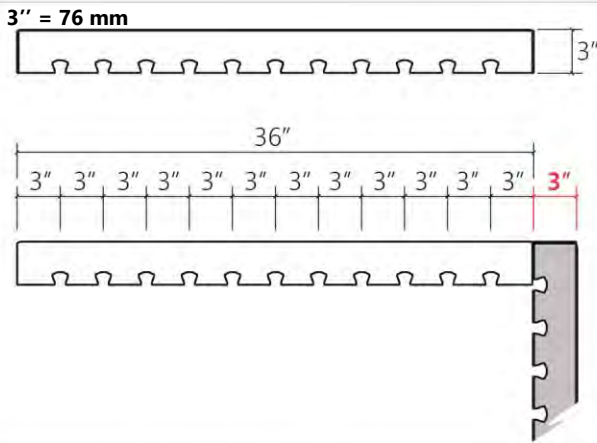
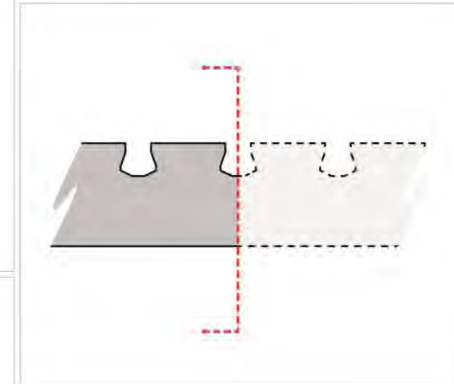
**18 x 36 x 3" PANEL**



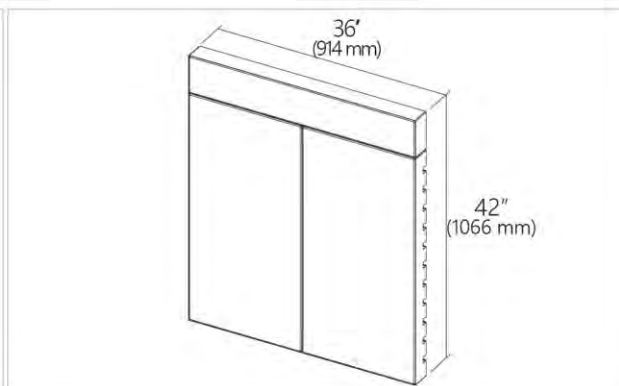
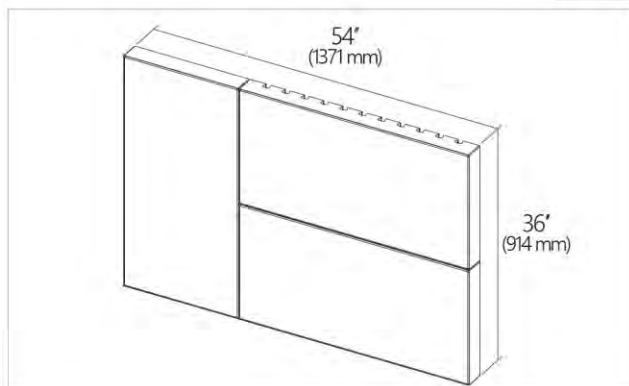
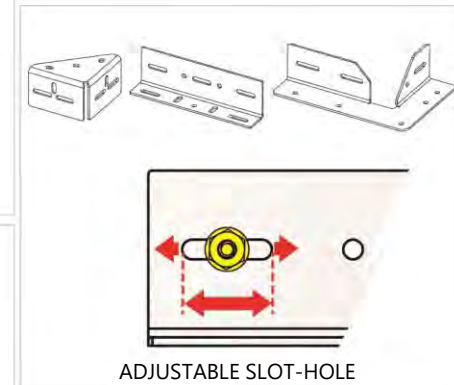
**6 x 36 x 3" PANEL**



**RECOMMENDED :  
CUT IN THE MIDDLE OF  
DOVETAIL**



**ADJUSTMENT**



**NOTE:** It is recommended to design structures with overall dimensions using increments of **3" (76mm)**.

# MODULARITY – REFERENCES

## KITCHEN TABLE



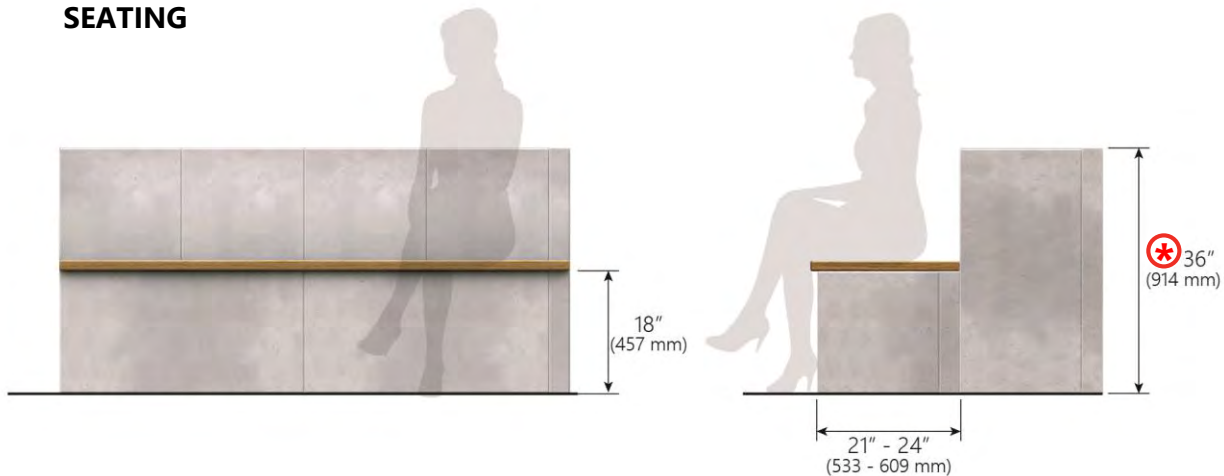
FRONT VIEW

## BAR TABLE



FRONT VIEW

## SEATING



FRONT VIEW

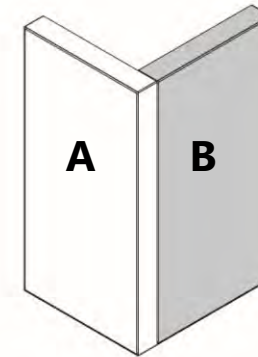
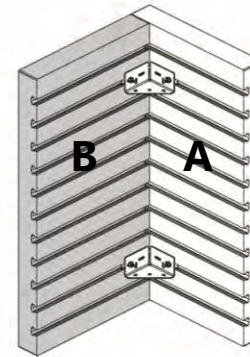
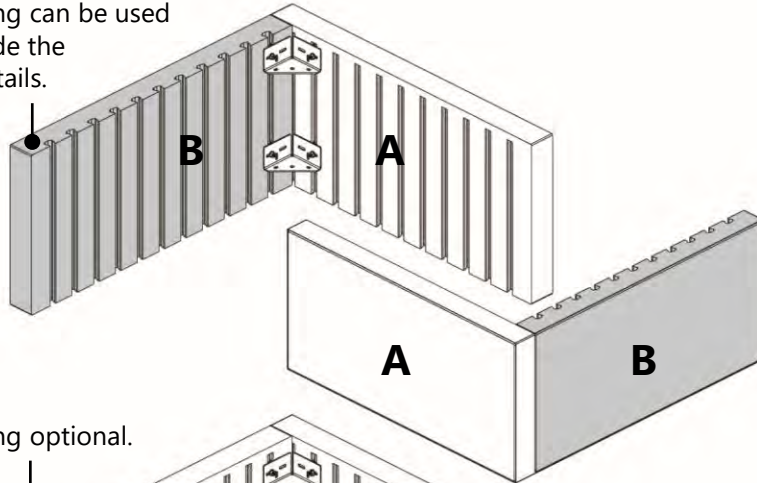
SIDE VIEW

**\* NOTE:** Maximum height of **36"** for planter box and **42"** for outdoor living structure. Any higher structure must be designed by an engineer.



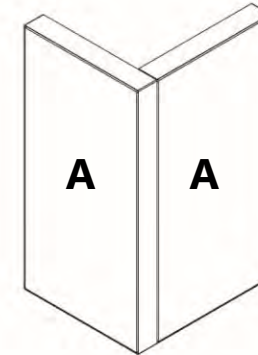
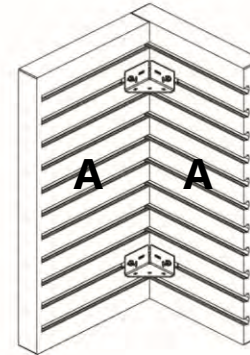
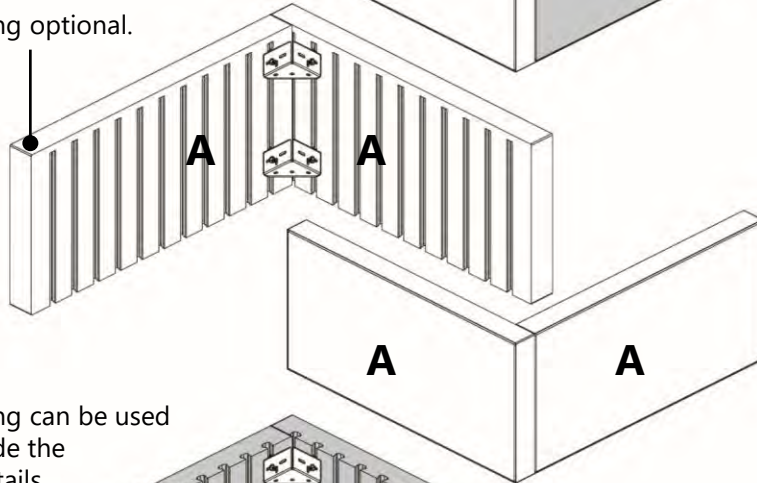
# PANEL CONFIGURATIONS

Coping can be used to hide the dovetails.



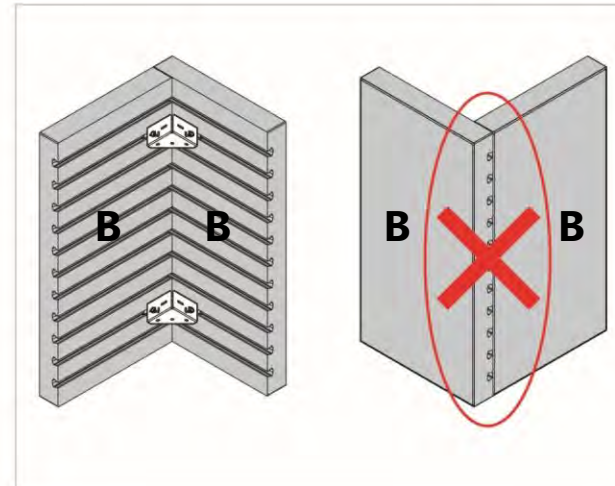
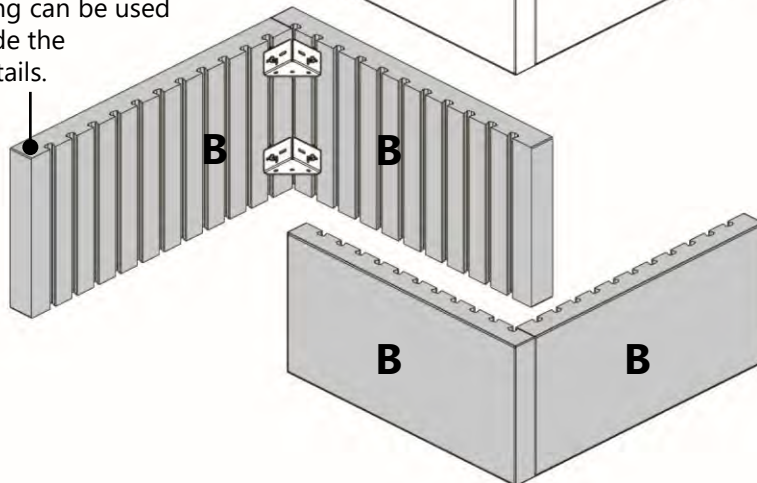
**\* IDEAL:**  
This configuration uses equal number of panel A and panel B.

Coping optional.



**\* NOT OPTIMAL:**  
This configuration uses panel A only.

Coping can be used to hide the dovetails.

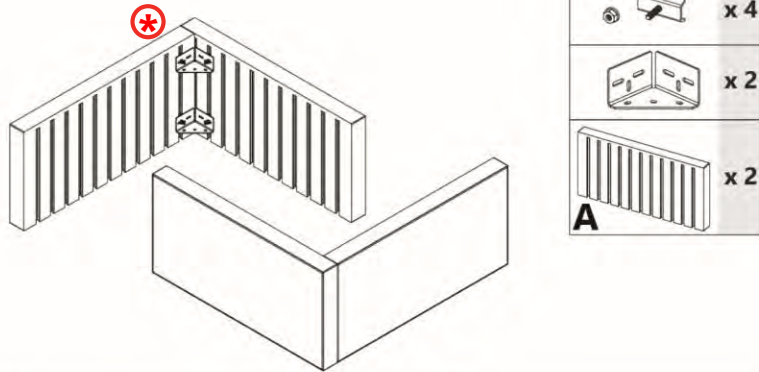


**\* NOT RECOMMENDED:**  
This configuration uses panel B only and the dovetails are exposed. Use ideal configuration as shown above.

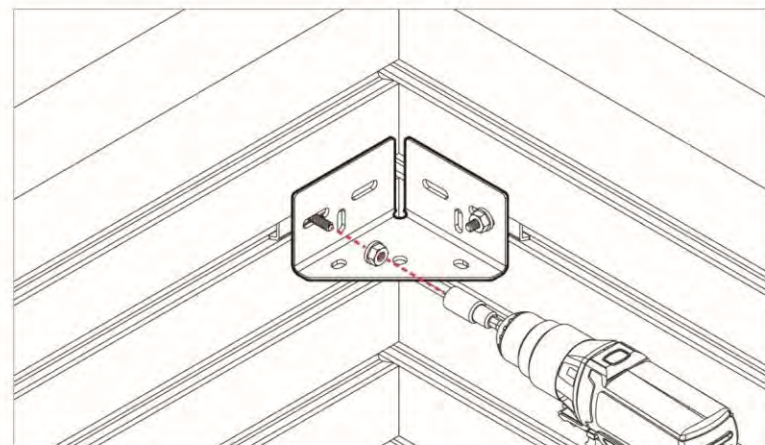
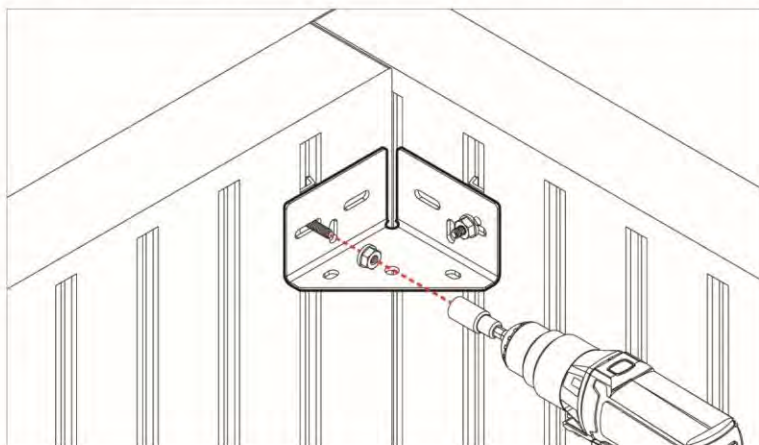
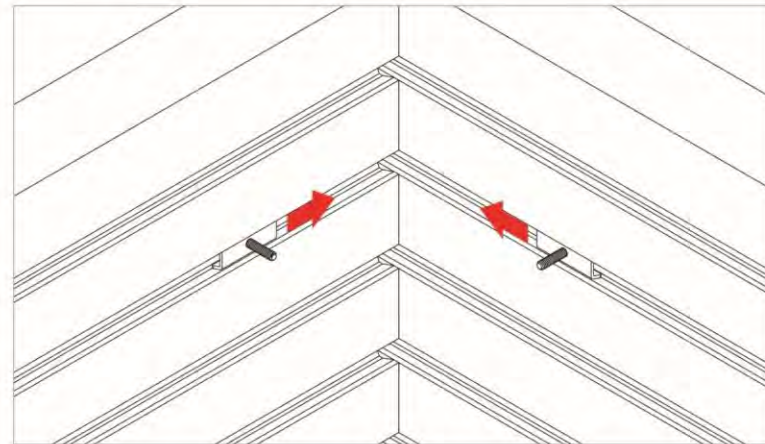
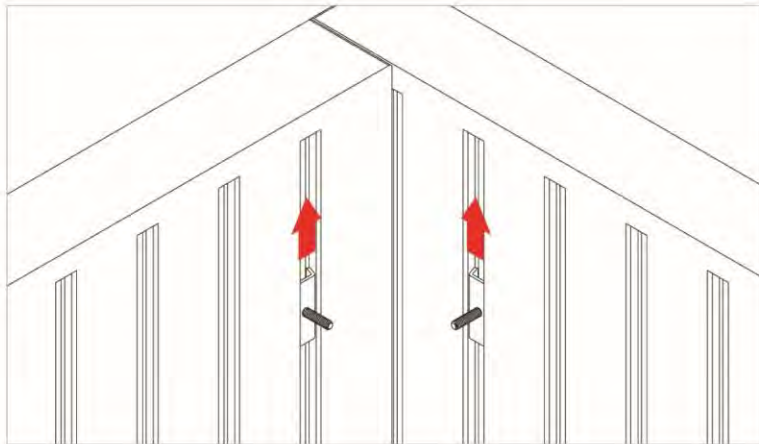
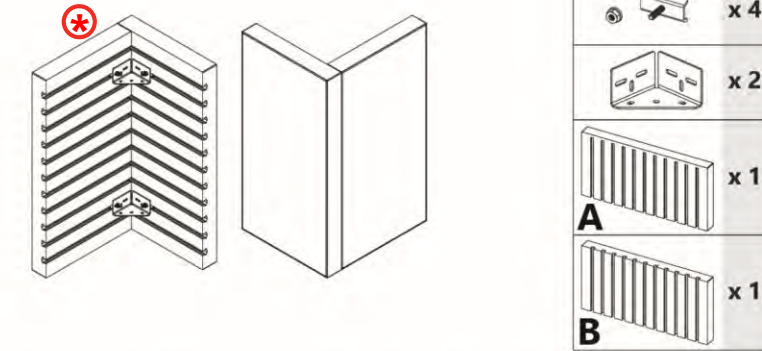
**\*IMPORTANT:** When planning configurations, consider the amount of panel A and panel B on a pallet. 18x36" panels are sold in pair/layer or in full pallet only. 6x36" panels are sold in layer or in full pallet only.

# OUTER CORNER INSTALLATION

## HORIZONTAL PANELS



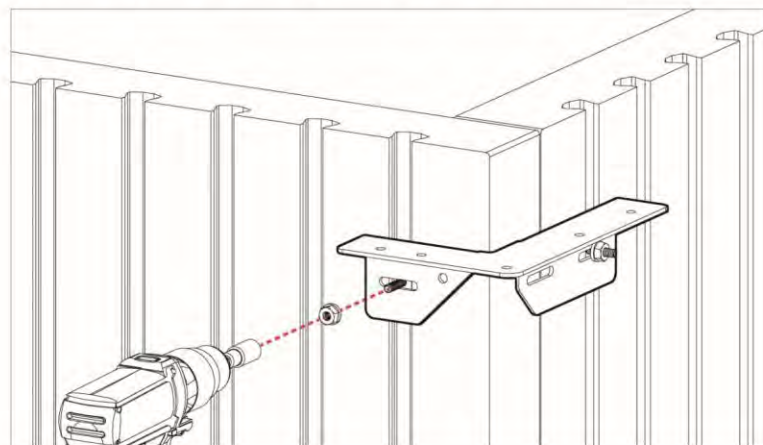
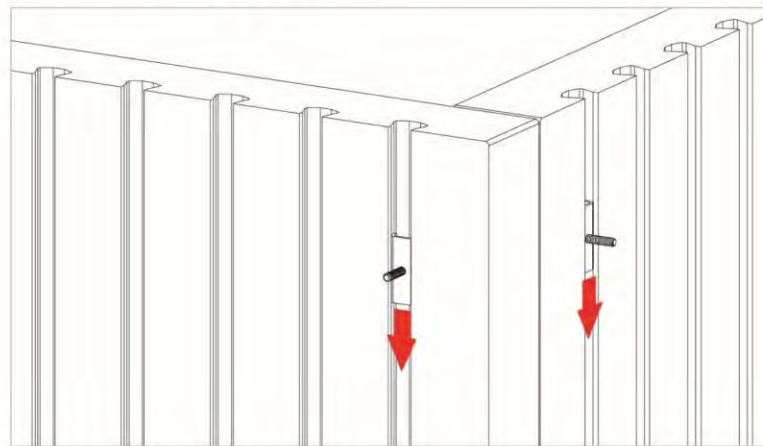
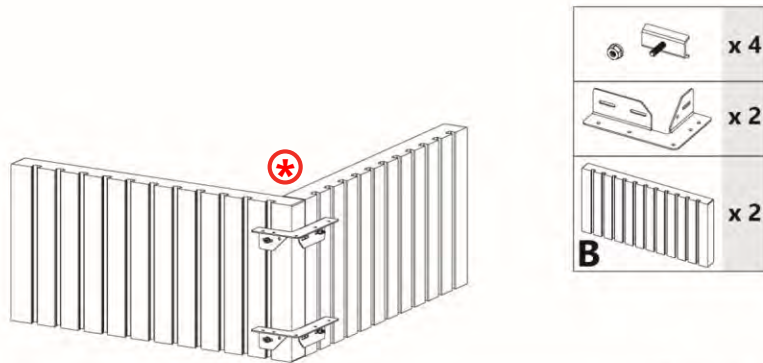
## VERTICAL PANELS



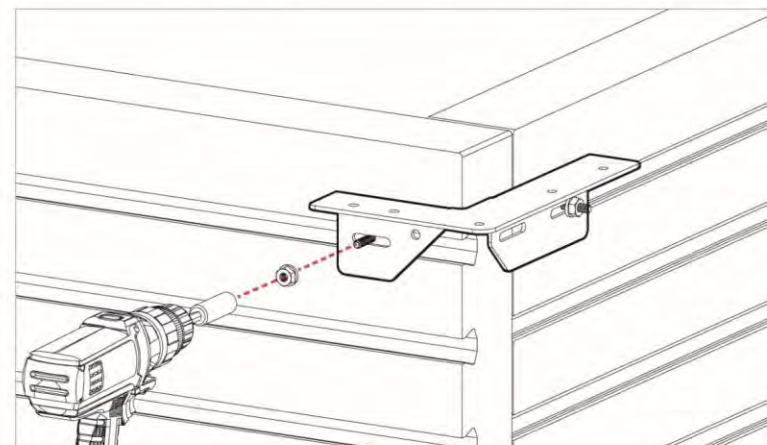
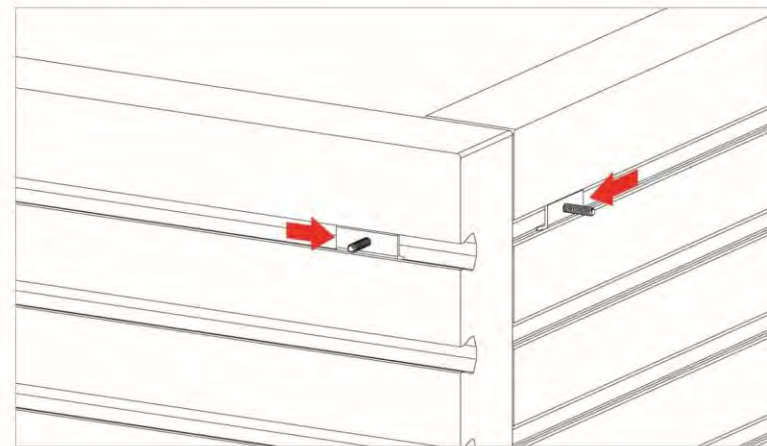
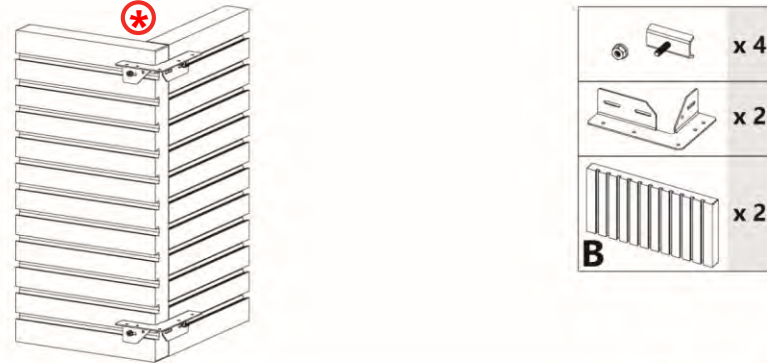
**\* IMPORTANT:** Always use a minimum of 2 outer corner brackets per corner assembly.  
 ▶ See Tips and tricks from page 26 for more details.

# INNER CORNER INSTALLATION

## HORIZONTAL PANELS



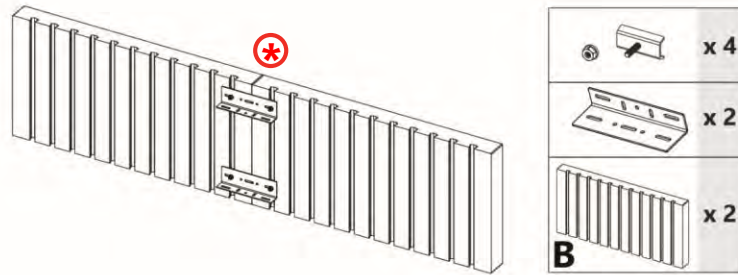
## VERTICAL PANELS



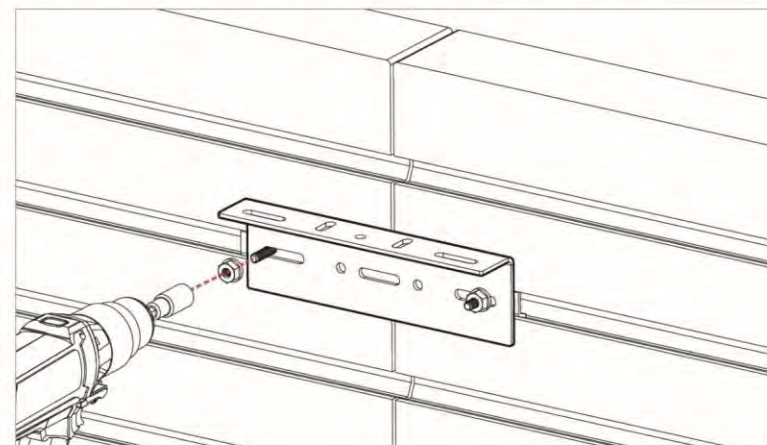
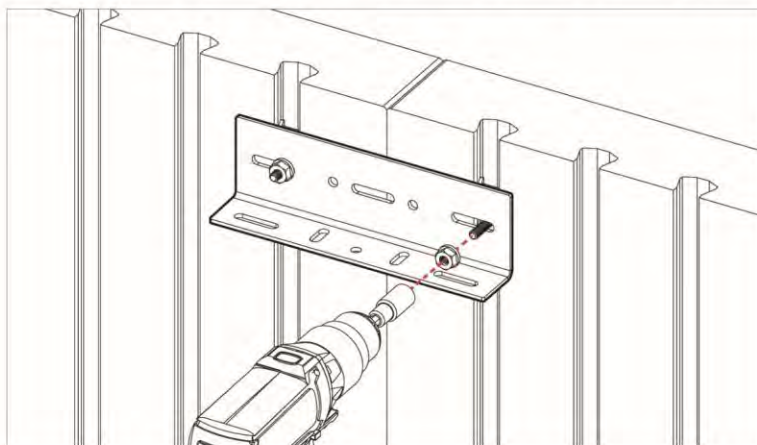
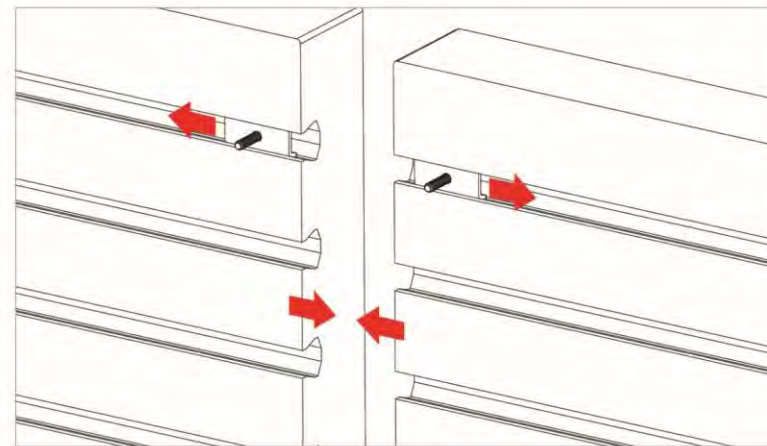
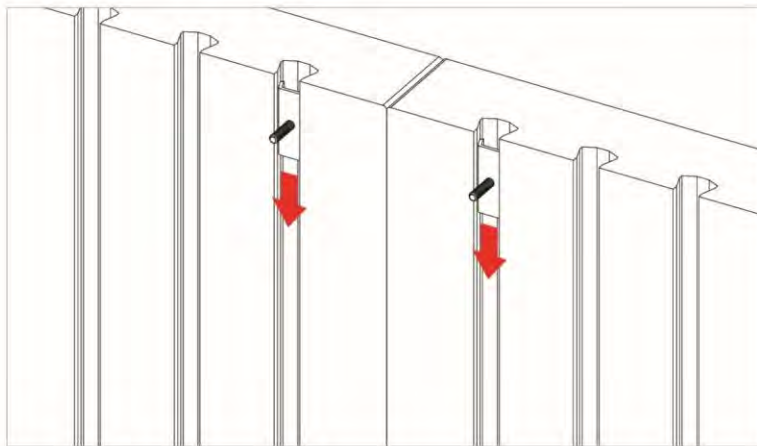
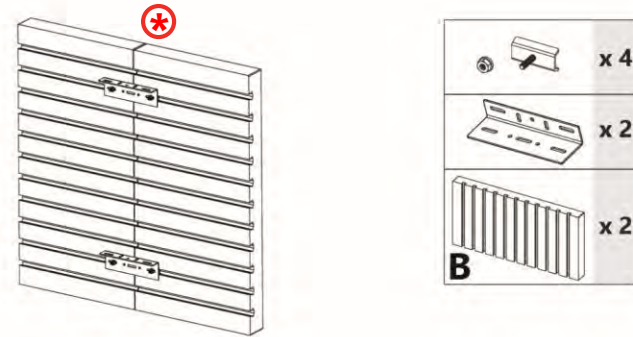
**\* IMPORTANT:** Always use a minimum of 2 inner corner brackets per corner assembly.  
 ▶ See Tips and tricks from page 26 for more details.

# JOINING PLATE INSTALLATION

## HORIZONTAL PANELS



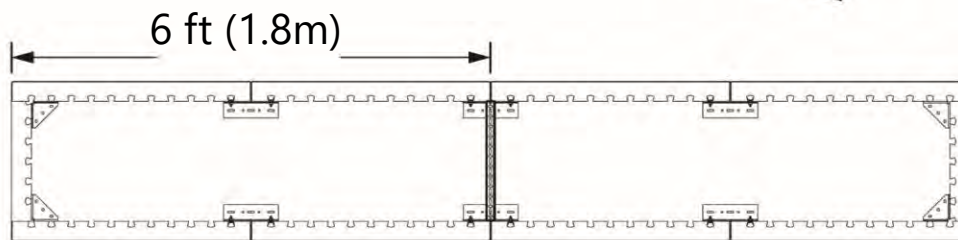
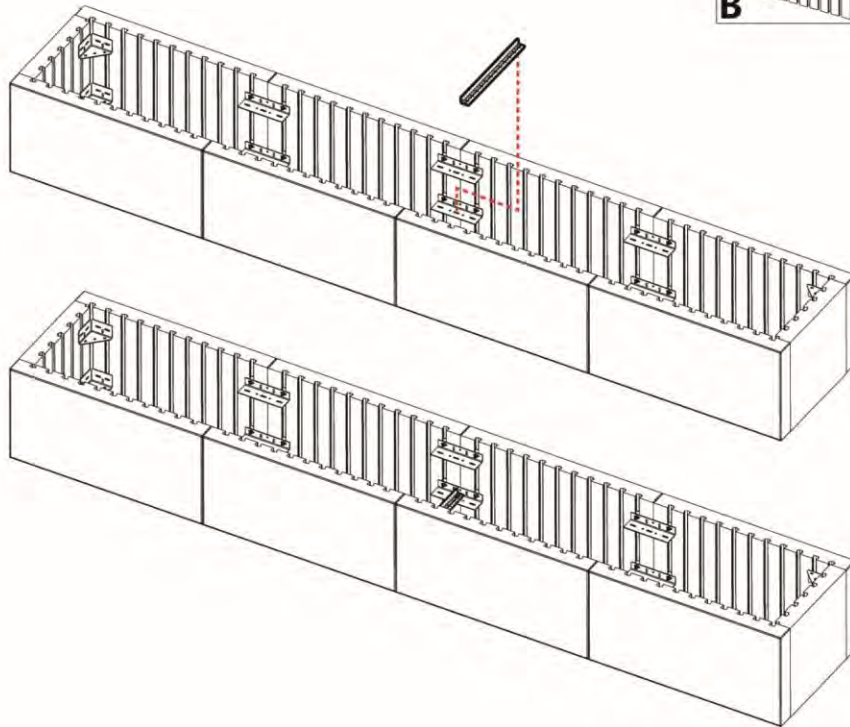
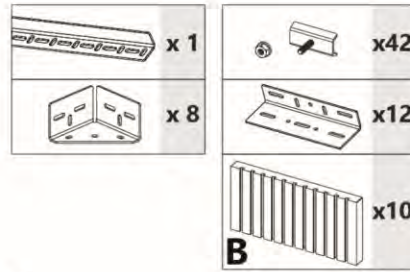
## VERTICAL PANELS



**\* IMPORTANT:** Always use a minimum of 2 joining plates when joining two parallel panels.  
 ▶ See Tips and tricks from page 26 for more details.

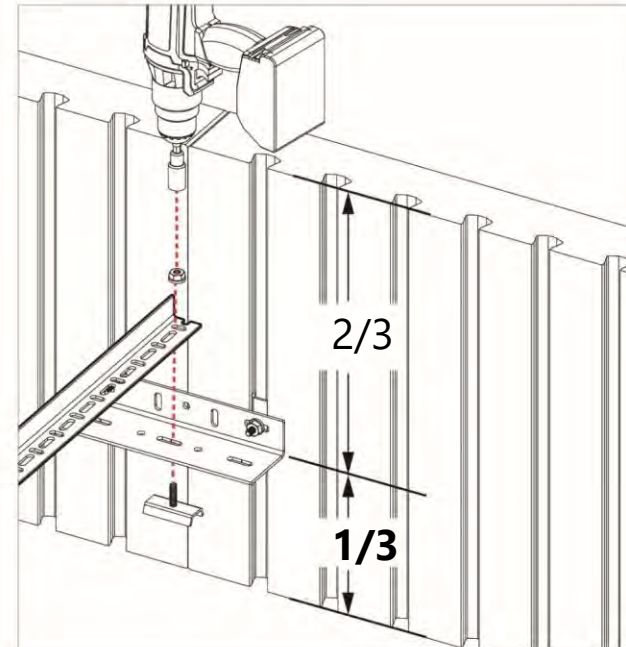
# STRETCHER BAR INSTALLATION

## HORIZONTAL PANELS

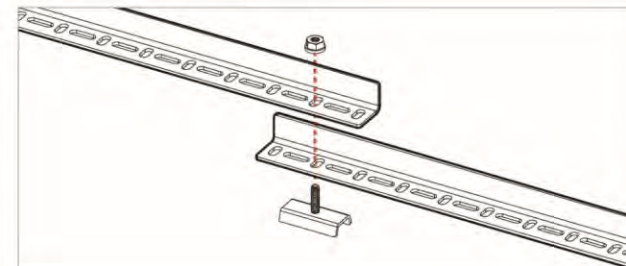


The stretcher bar keeps parallel 2 sets of panels facing each other. It is recommended to attach the stretcher bar to the joining plate every 6ft (1.8m). Place it at 1/3 of the total height from the bottom of assembly.

The stretcher bar must be cut to fit distance between 2 sets of panels.



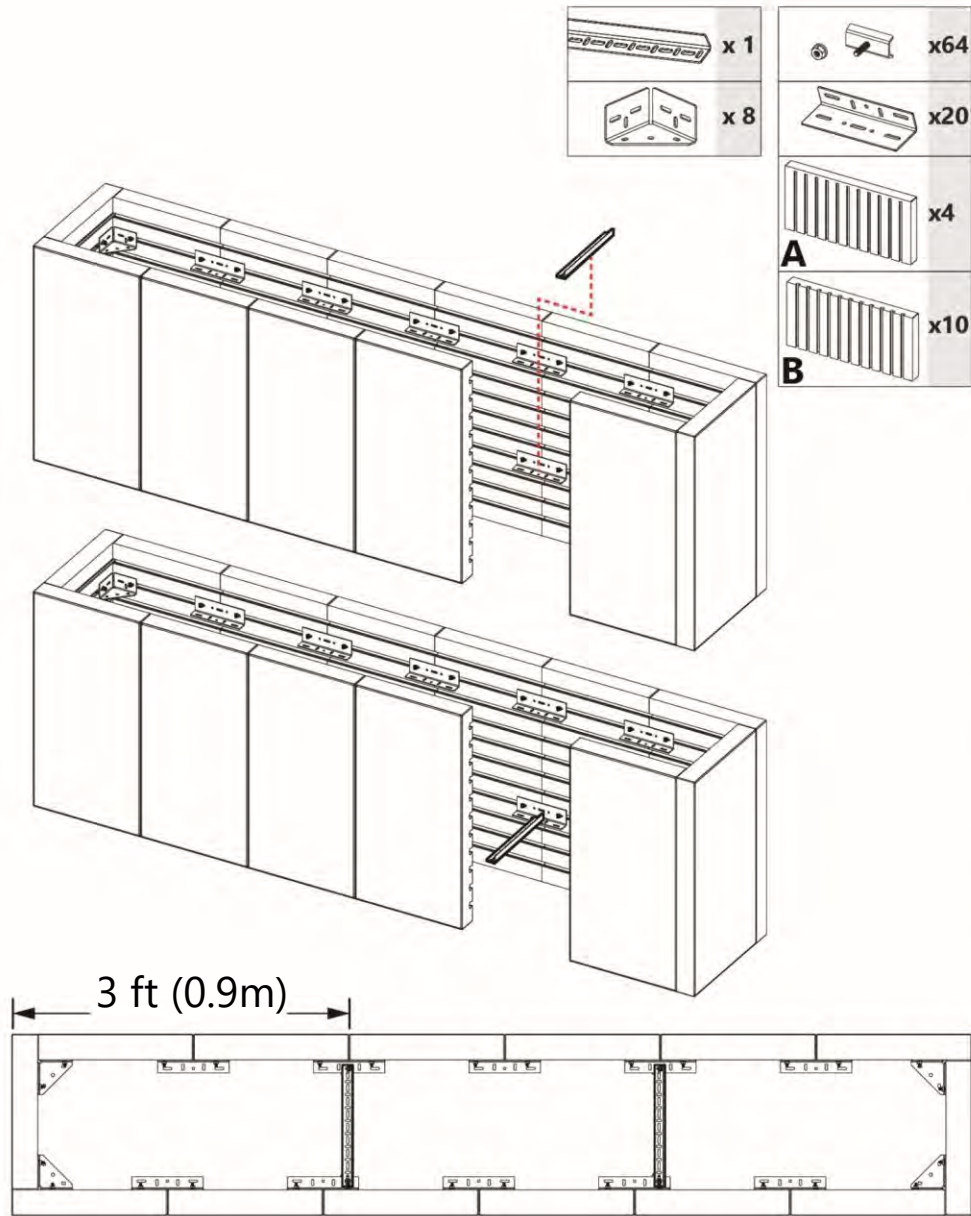
**NOTE:** The stretcher bar can be extended.



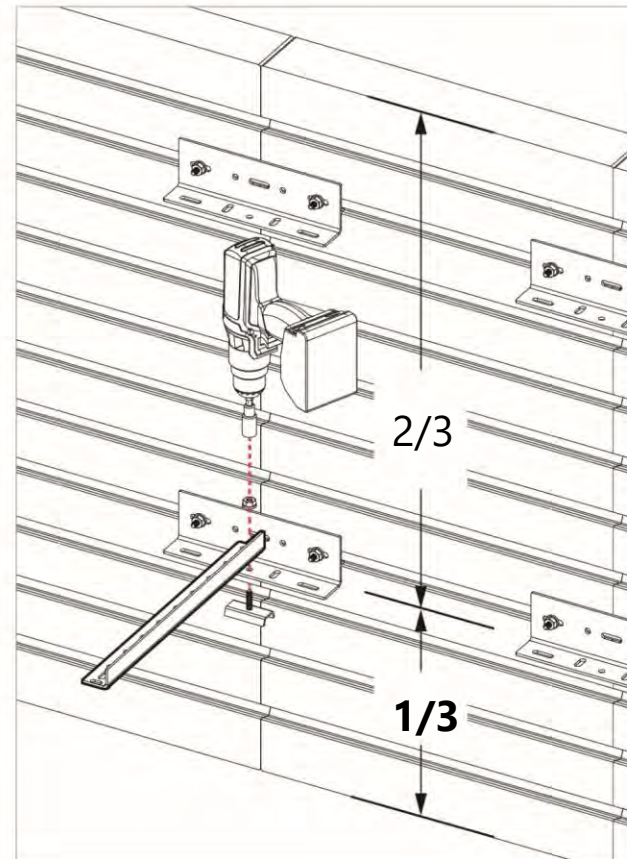
► See Tips and tricks from page 26 for more details.

# STRETCHER BAR INSTALLATION

## VERTICAL PANELS



The stretcher bar keeps parallel 2 sets of panels facing each other. It is recommended to attach the stretcher bar to the joining plate every 3ft (0.9m). Place it at approximately 1/3 of the total height from the bottom of assembly. The stretcher bar must be cut to fit distance between 2 sets of panels.

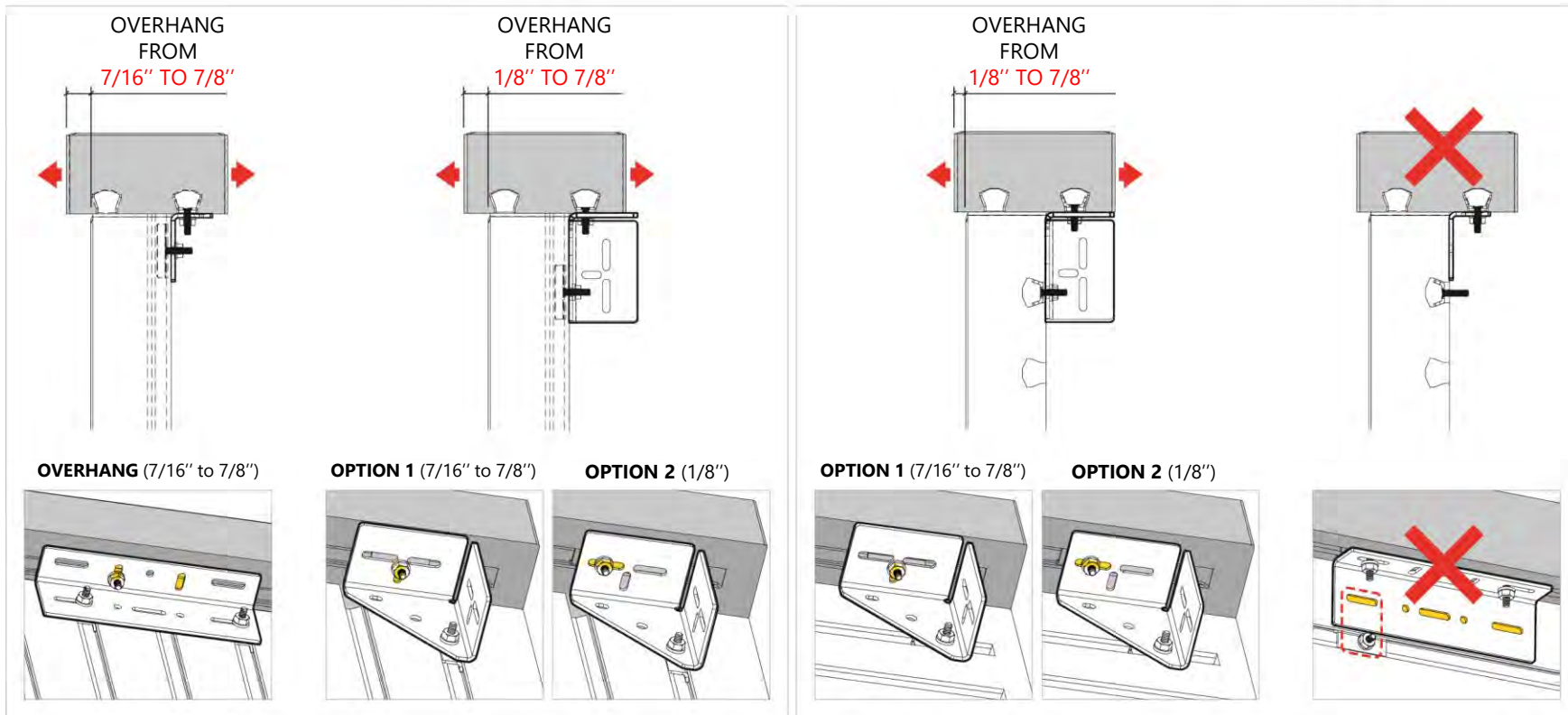
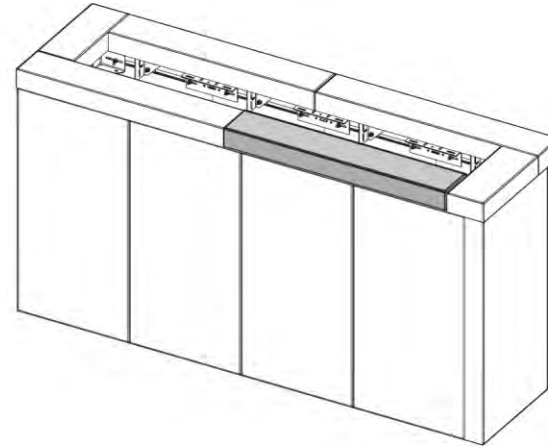
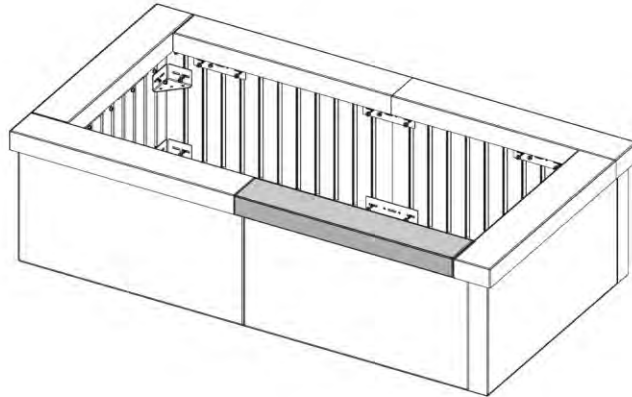


► See Tips and tricks from page 26 for more details.

# 6X36 PANEL – COPING INSTALLATION (MECHANICALLY FIXED)

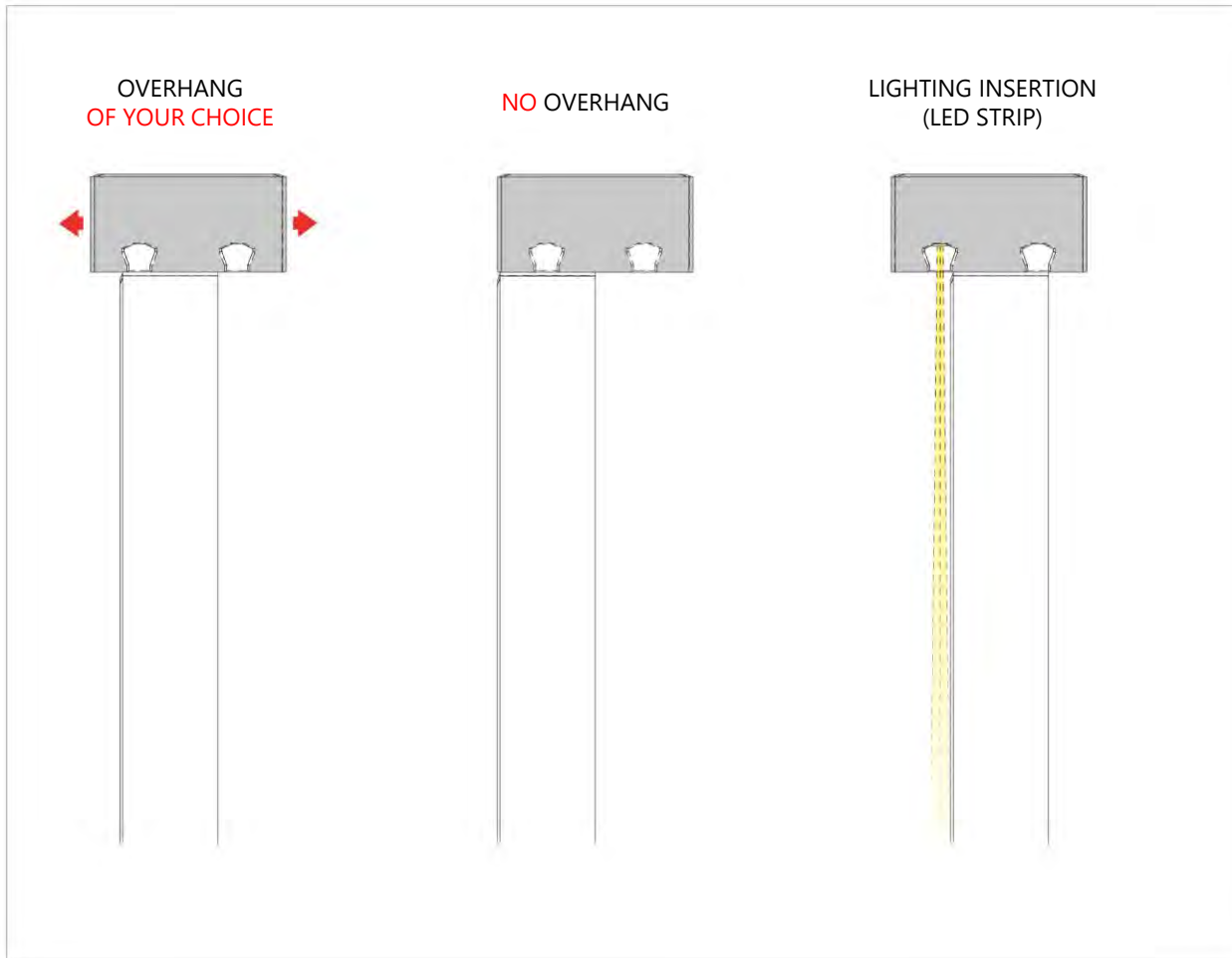
18 x 36 x 3" HORIZONTAL PANELS

18 x 36 x 3" VERTICAL PANELS



► See Tips and tricks from page 26 for more details.

# 6X36 PANEL – COPING INSTALLATION (FIXED WITH ADHESIVE)



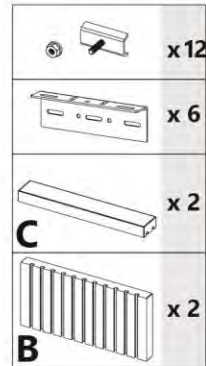
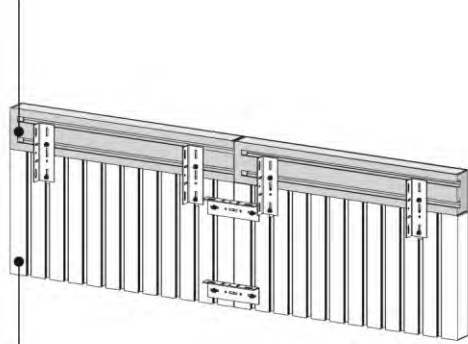
FIXED USING  
CONSTRUCTION GLUE  
OR STRUCTURE BOND



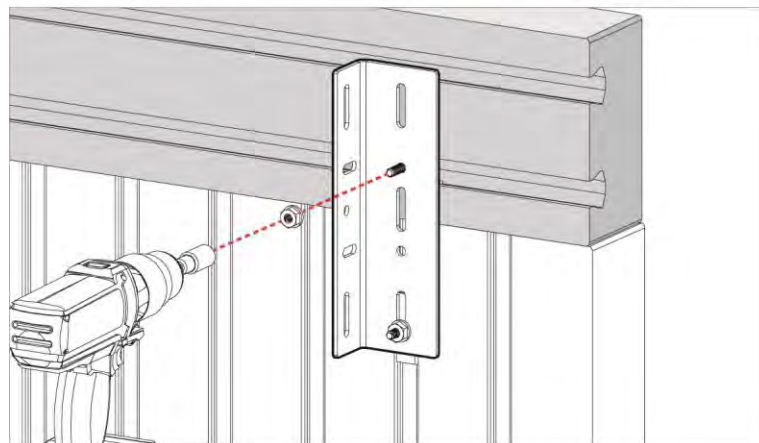
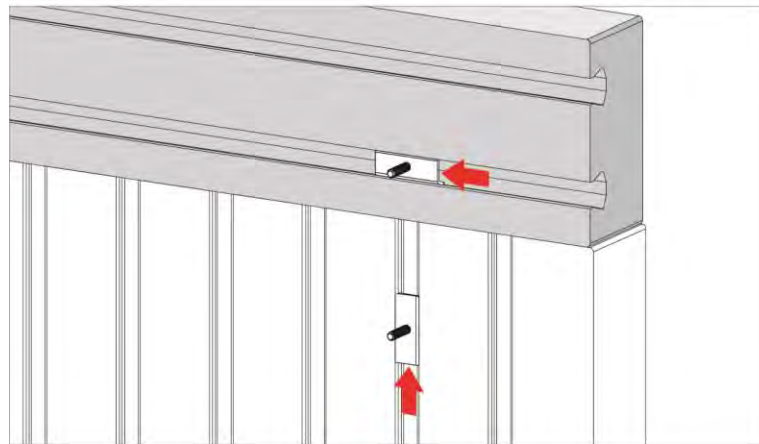


# 6X36 PANEL – ACCENT INSTALLATION

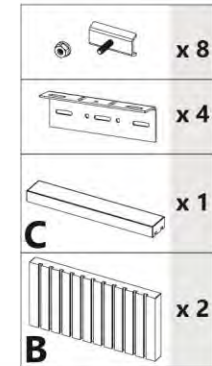
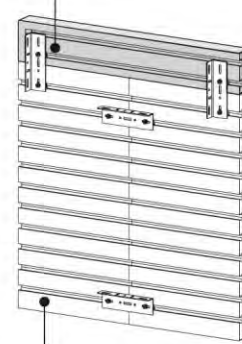
6 x 36 x 3" PANEL



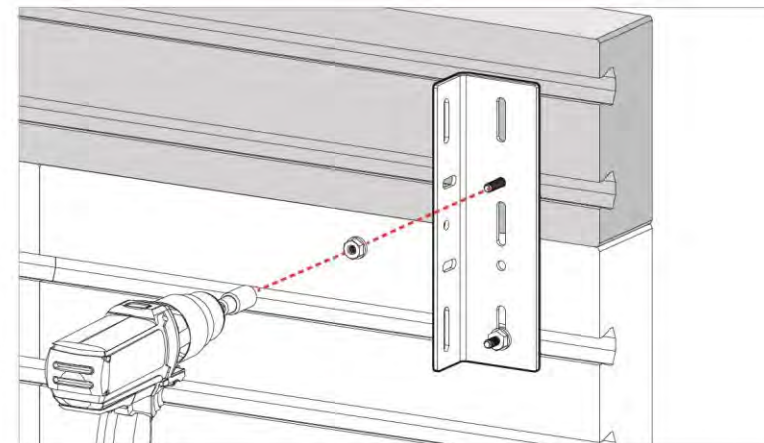
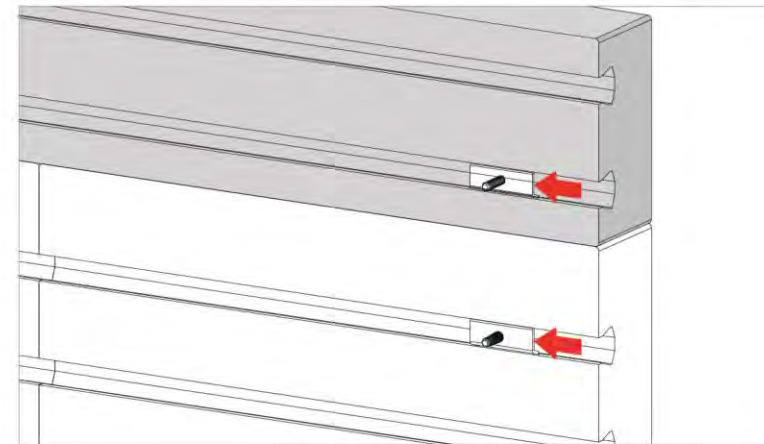
18 x 36 x 3" HORIZONTAL PANEL



6 x 36 x 3" PANEL



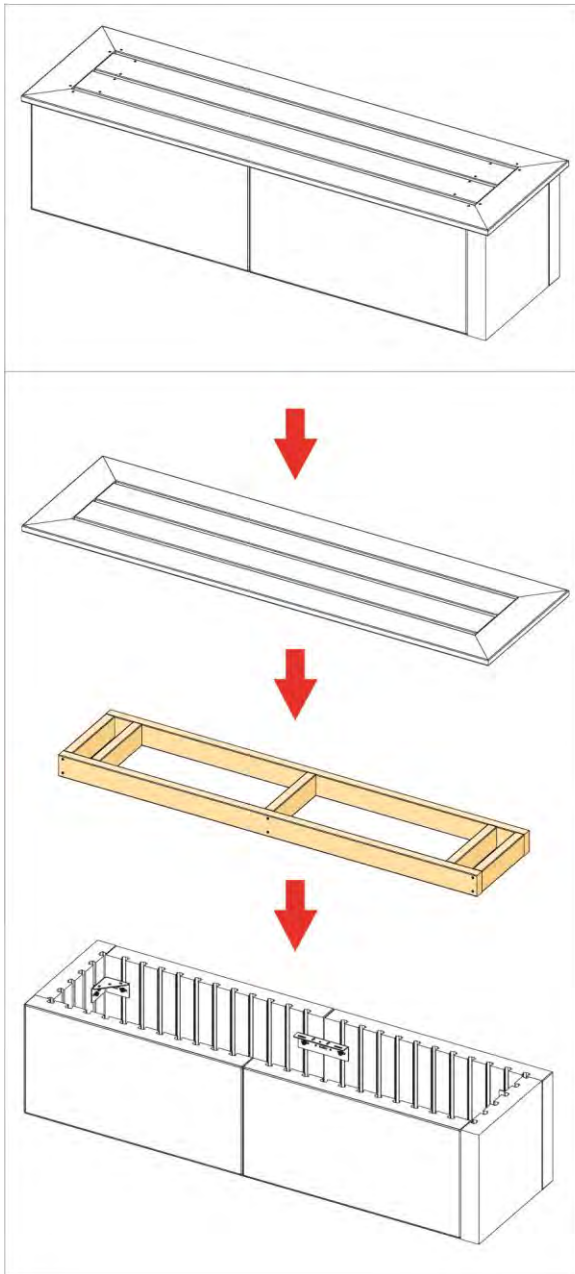
18 x 36 x 3" VERTICAL PANEL








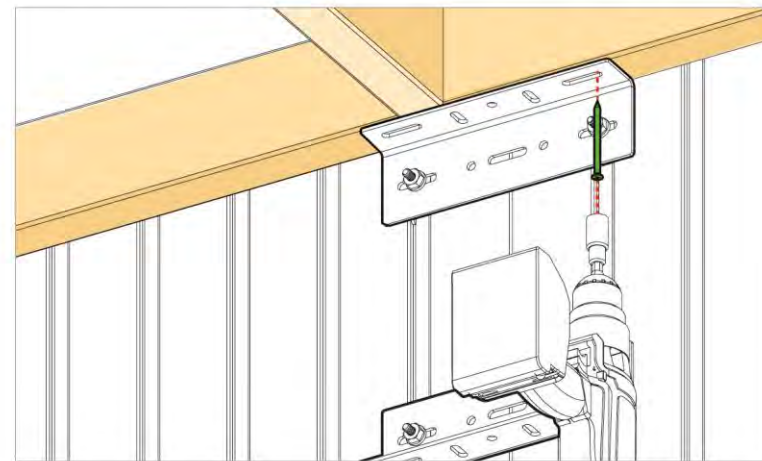
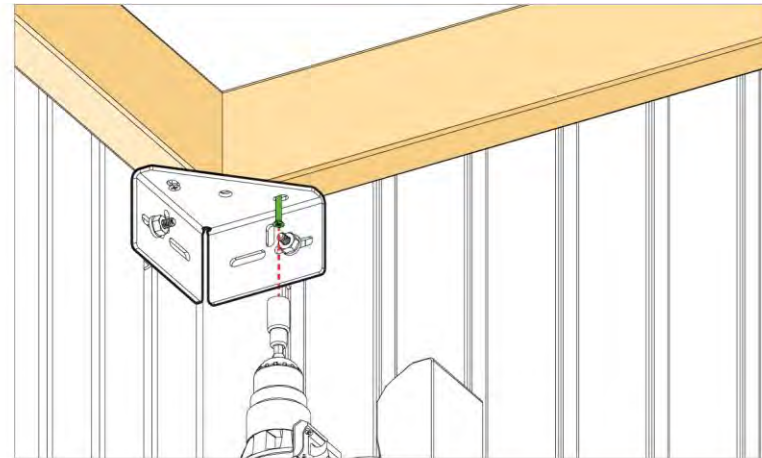
**⊗ IMPORTANT:** Always use a minimum of 2 joining plates when joining 6x36 panel with 18x36 panel  
 ▶ See Tips and tricks from page 26 for more details.

# INTEGRATING WOOD

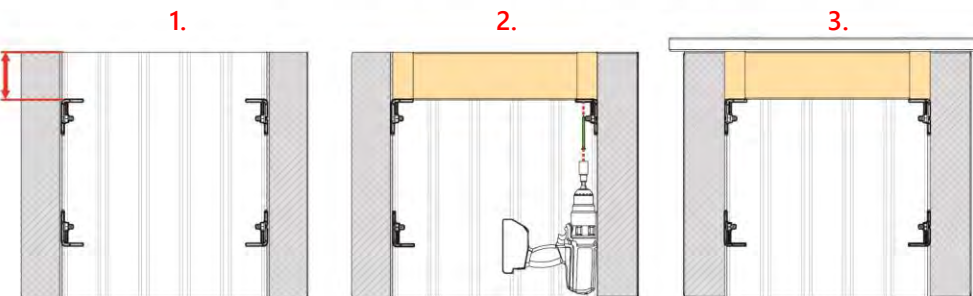
## BENCH



-  x24
-  x 8
-  x 4
-  x 6
- B**
-  TREATED WOOD SCREW # 8 or 10



INSTALL THE HARDWARE ACCORDING TO WOOD SIZE

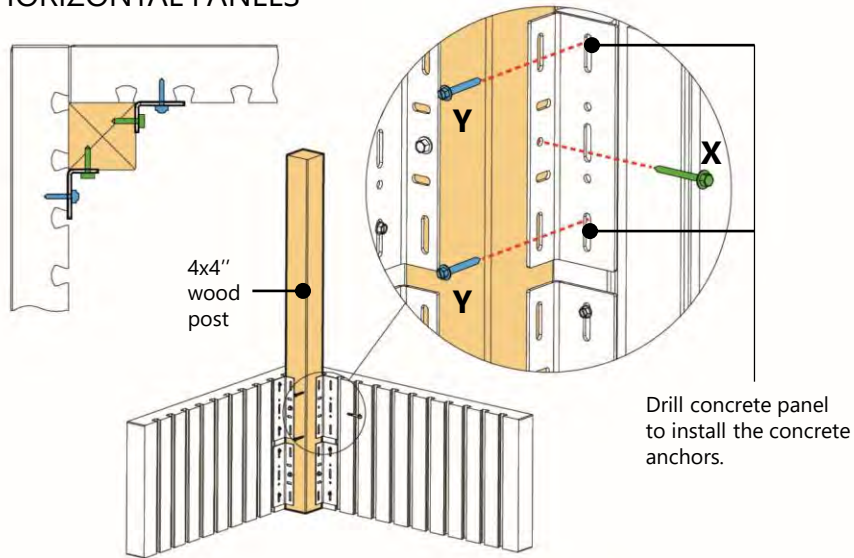


SECTION VIEW

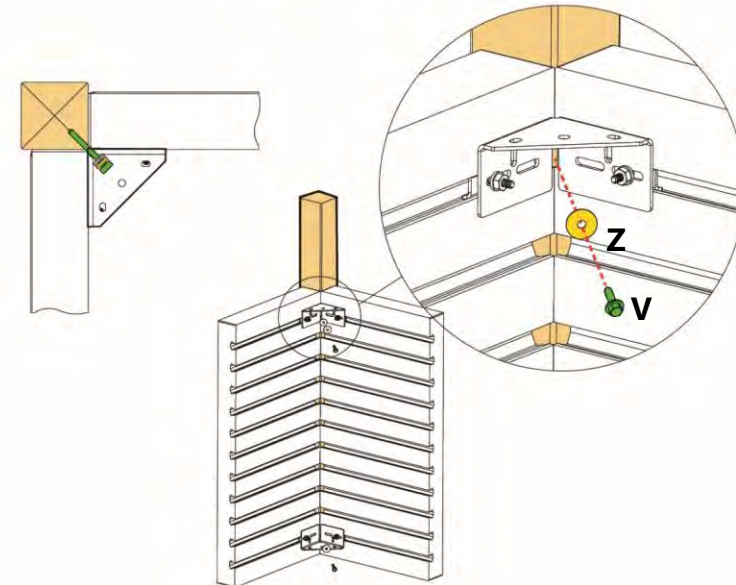
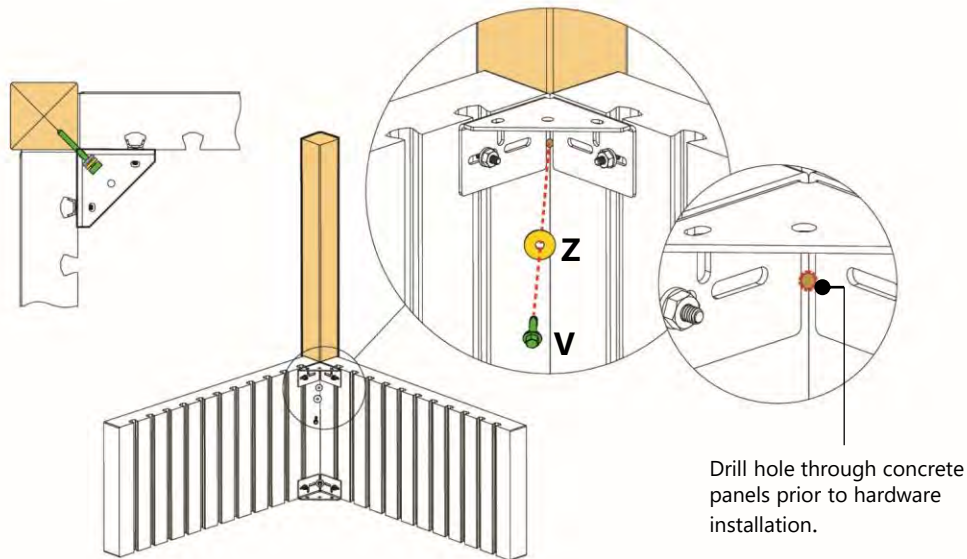
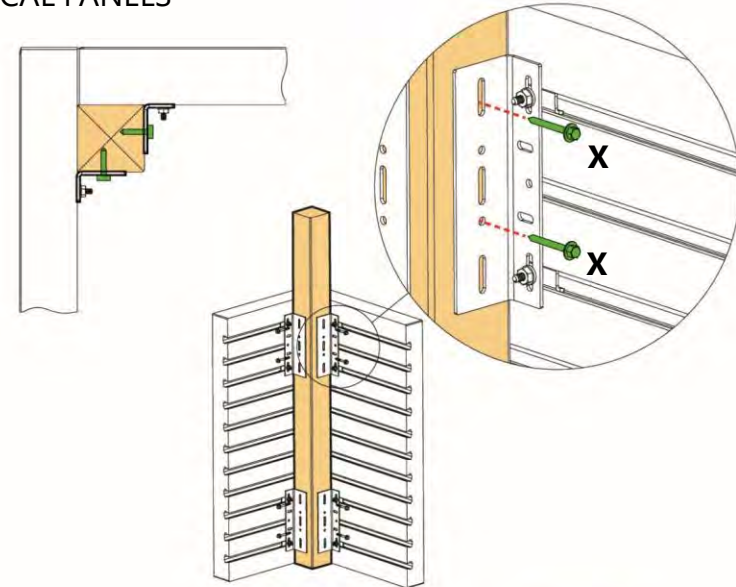
► See Tips and tricks from page 26 for more details.

# INTEGRATING 4x4" WOOD POSTS

## HORIZONTAL PANELS



## VERTICAL PANELS



**X=Stainless Steel Wood Screw Flat Head #10 x 2½"**   **V= Stainless Steel Lag screws 1/4 x 2½" or 5/16 x 2½"**  
**Y =Treated Concrete Anchor (Tapcon®) 1/4"x1¾" or 3/16"x1¾"**   **Z=Stainless Steel Oversized Washer 5/16"**

**IMPORTANT:** Other types of hardware (not included) may be required to make these assemblies (wood screws, concrete anchors, etc.).

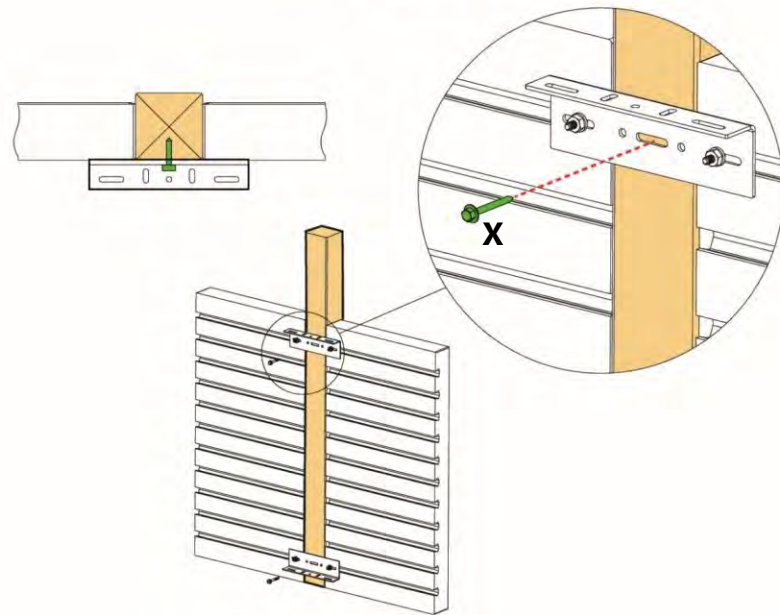
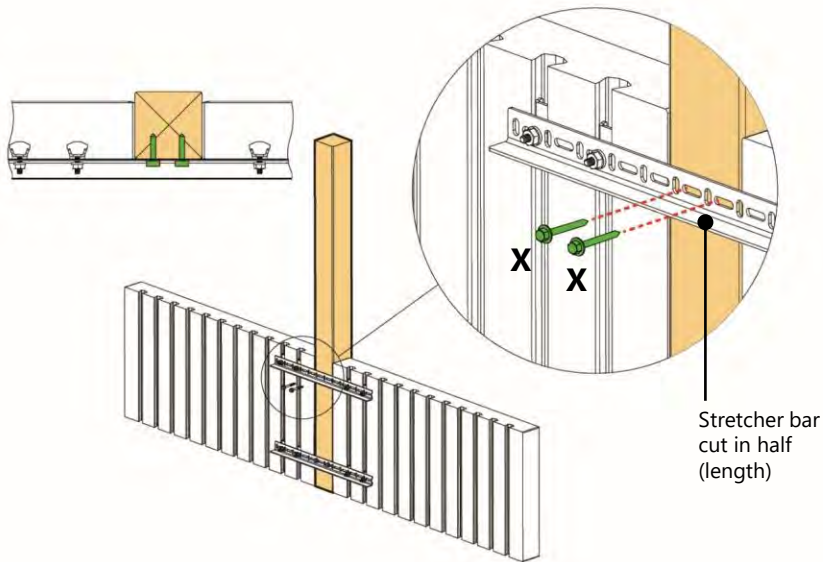
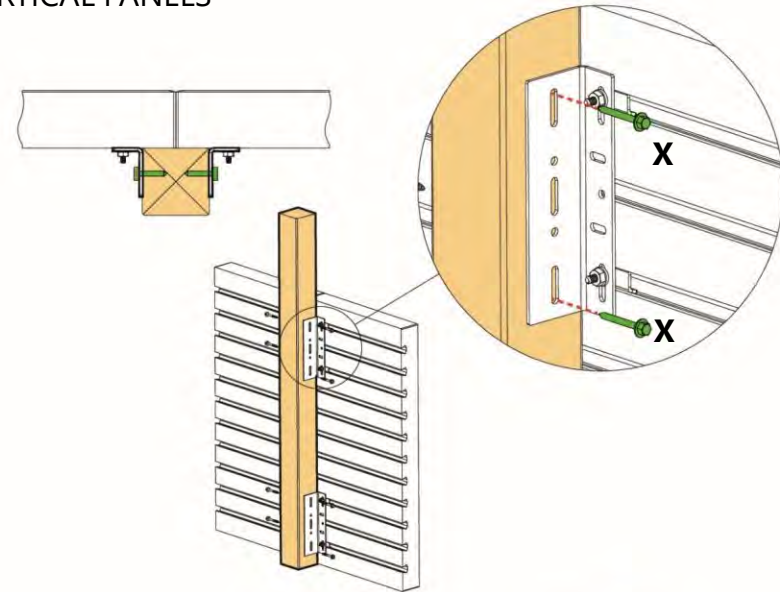
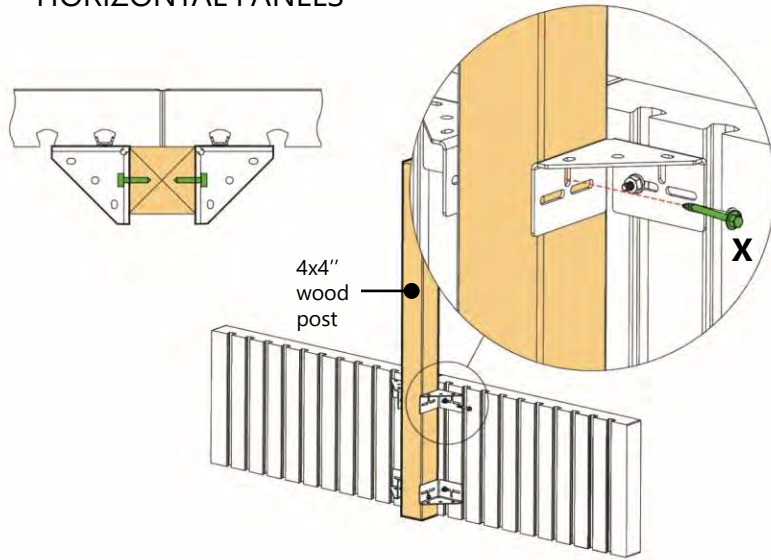
**BELGARD** is not responsible for any issue regarding other materials, accessories, other types of hardware, etc. Refer to terms and conditions section.

We recommend consulting an expert/engineer to determine the maximum installation height of the screen panels based on wind loads.

# INTEGRATING 4x4" WOOD POSTS

## HORIZONTAL PANELS

## VERTICAL PANELS

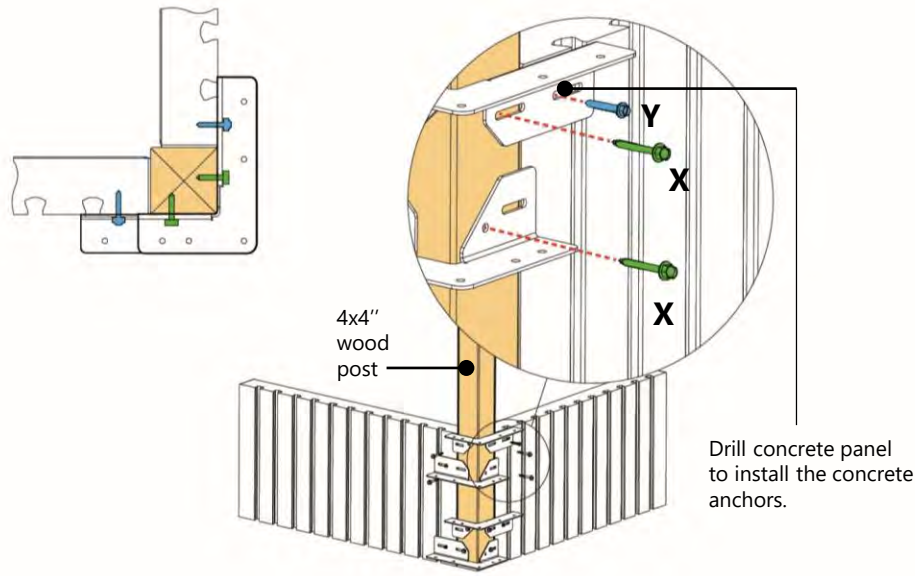


**X=Stainless Steel Wood Screw Flat Head #10 x 2½"**    **V= Stainless Steel Lag screws 1/4 x 2½" or 5/16 x 2½"**  
**Y =Treated Concrete Anchor (Tapcon®) 1/4"x1¾" or 3/16"x1¾"**    **Z=Stainless Steel Oversized Washer 5/16"**

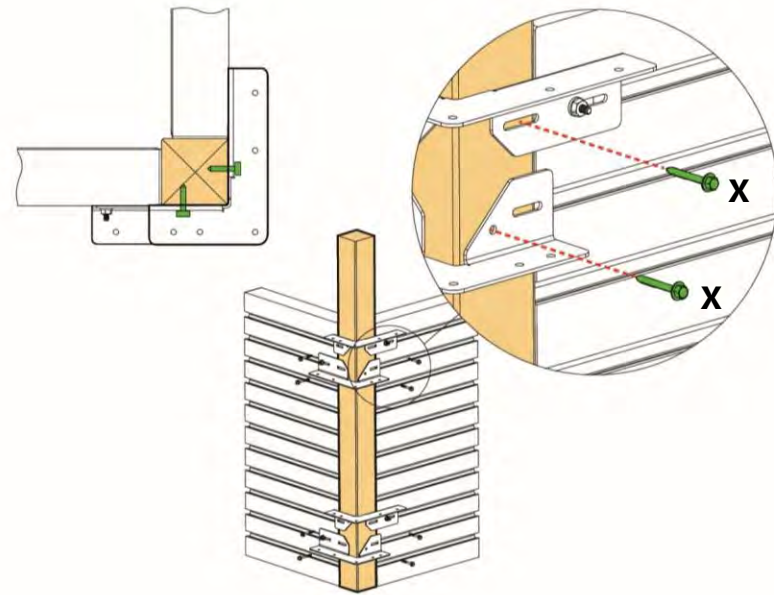
**IMPORTANT:** Other types of hardware (not included) may be required to make these assemblies (wood screws, concrete anchors, etc.). **BELGARD** is not responsible for any issue regarding other materials, accessories, other types of hardware, etc. Refer to terms and conditions section. We recommend consulting an expert/engineer to determine the maximum installation height of the screen panels based on wind loads.

# INTEGRATING 4x4" WOOD POSTS

## HORIZONTAL PANELS



## VERTICAL PANELS

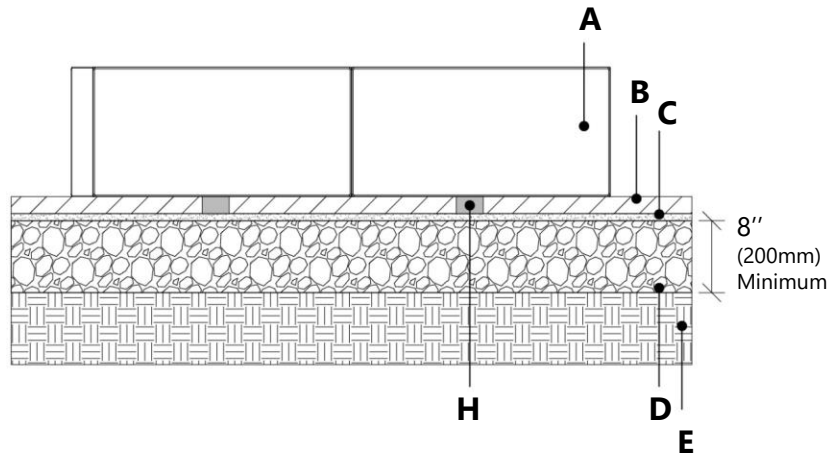


**X=Stainless Steel Wood Screw Flat Head #10 x 2½"**    **V= Stainless Steel Lag screws 1/4 x 2½" or 5/16 x 2½"**  
**Y =Treated Concrete Anchor (Tapcon®) 1/4"x1¾" or 3/16"x1¾"**    **Z=Stainless Steel Oversized Washer 5/16"**

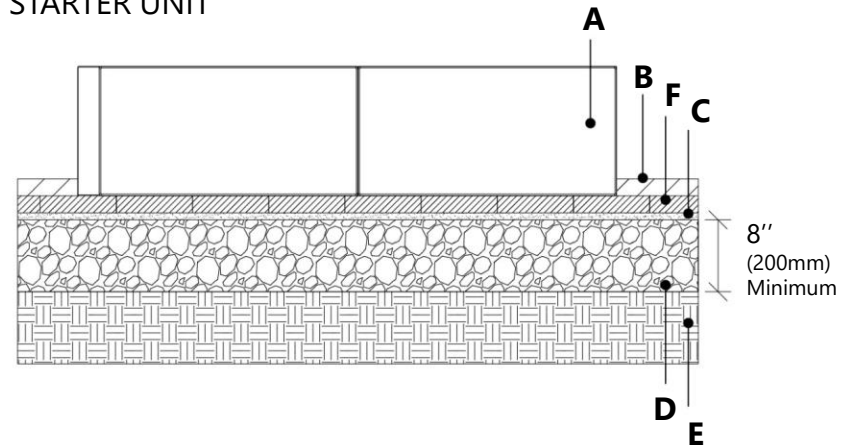
**IMPORTANT:** Other types of hardware (not included) may be required to make these assemblies (wood screws, concrete anchors, etc.).  
**BELGARD** is not responsible for any issue regarding other materials, accessories, other types of hardware, etc. Refer to terms and conditions section.  
 We recommend consulting an expert/engineer to determine the maximum installation height of the screen panels based on wind loads.

# BASE PREPARATION

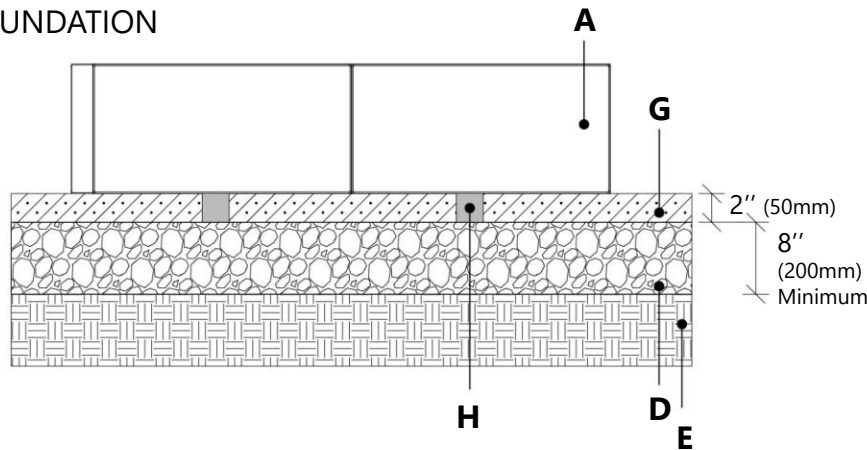
## ON EXISTING PATIO



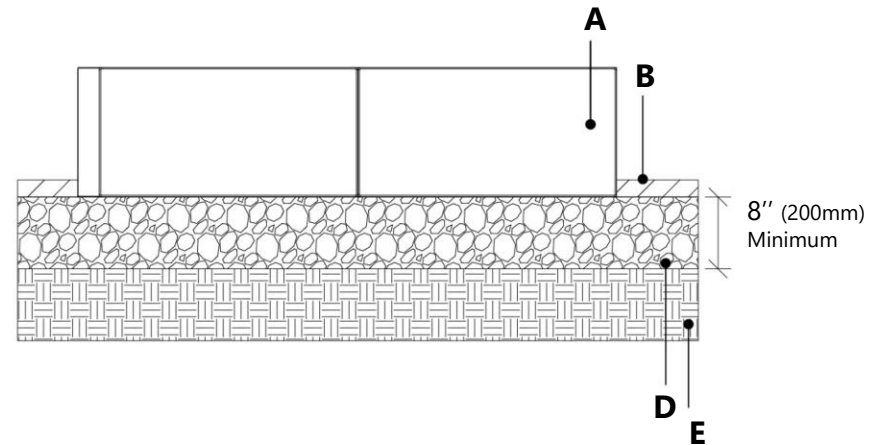
## ON COMPACTED FOUNDATION USING STARTER UNIT



## ON POURED CONCRETE FOUNDATION



## ON COMPACTED FOUNDATION

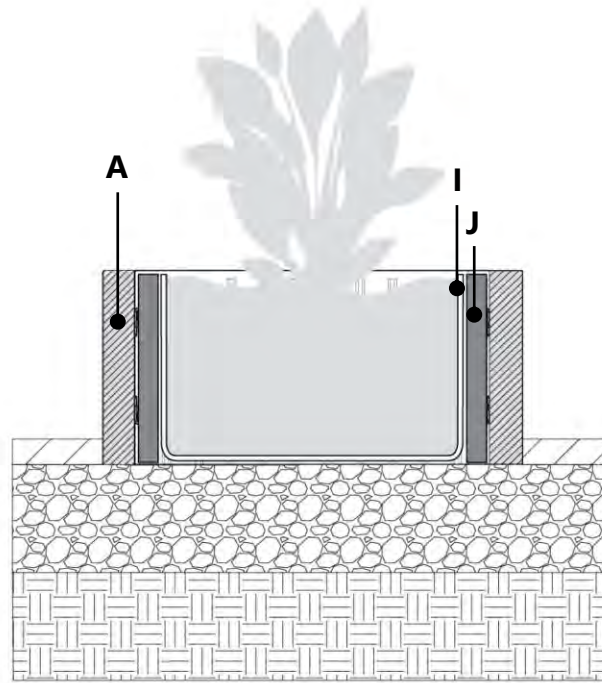
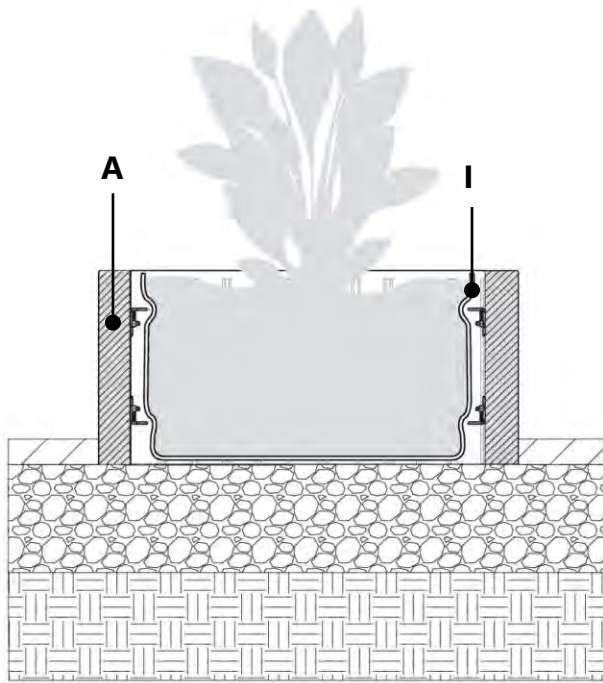


- |   |                                       |
|---|---------------------------------------|
| <b>A- ARTEX</b> Panels                            | <b>E- Soil</b>                        |
| <b>B- Slab or Paver</b>                           | <b>F- Starter Unit/ Slab or Paver</b> |
| <b>C- Bedding Sand 1" (25mm)</b>                  | <b>G- Reinforced Poured Concrete</b>  |
| <b>D- Compacted aggregates 8" (200mm) minimum</b> | <b>Foundation 2" (50mm) minimum</b>   |
|   | <b>H- Opening for drainage</b>        |

**IMPORTANT:** Provide adequate drainage and adjust according to soil type. Maximum height of **36"** for planter box and **42"** for outdoor living structure. Any higher structure must be designed by an engineer. Dimensions and information above are general recommendations only. Contact experts/engineers to validate the base preparation, the drainage, the plants & roots growth/management. The use of plastic shims can facilitate the installation of Artex panels in order to adapt to the slope of the site.

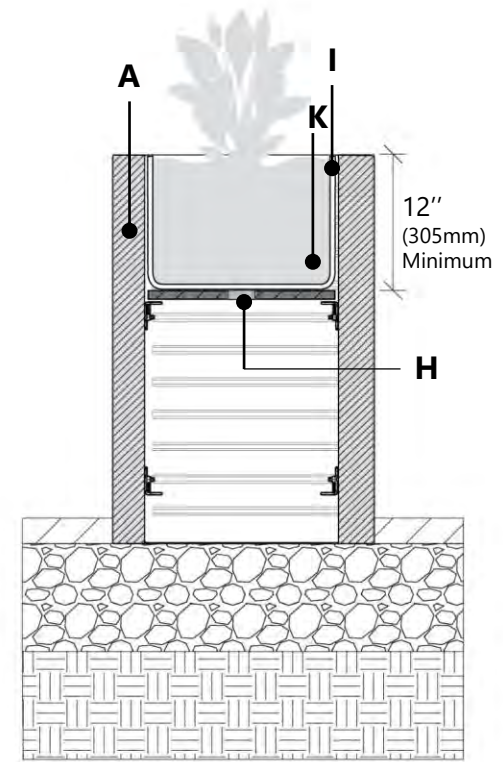
# PLANTER BOX DETAIL

## ON COMPACTED FOUNDATION



### Recommended:

Place insulated panels to protect plants from cold conditions.



### Recommended:

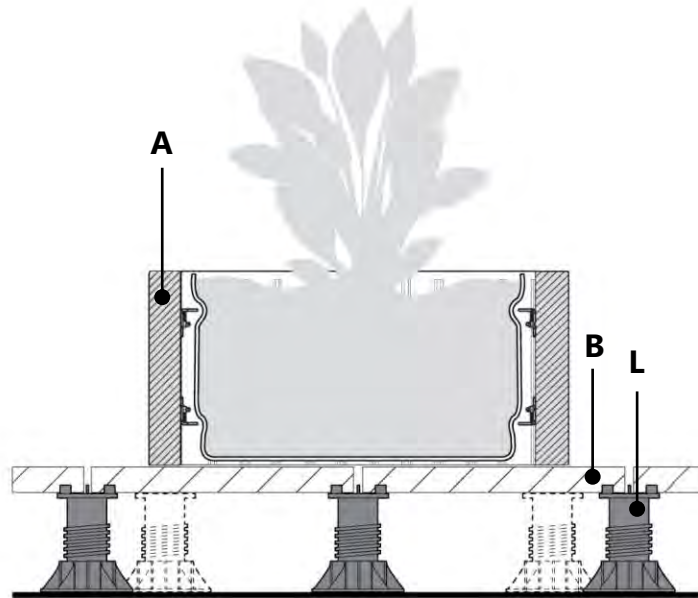
Place a cement board on top of the Artex hardware to reduce the amount of infill material.

**A- ARTEX** Panels  
**H-** Opening for drainage  
**I-** Geotextile membrane  
**J-** Insulated panel

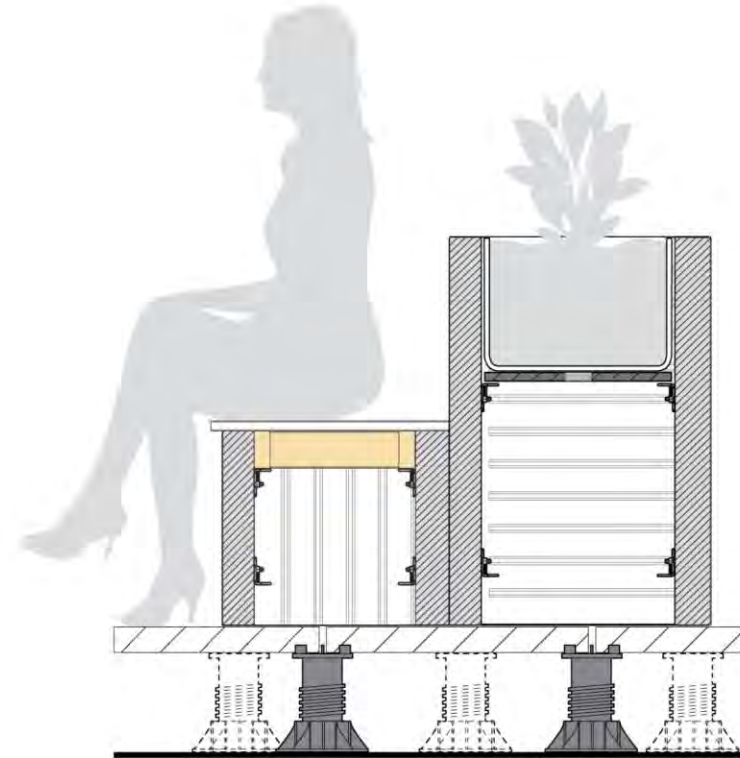
**K-** Cement board

**IMPORTANT:** Provide adequate drainage and adjust according to soil type. Maximum height of **36"** for planter box and **42"** for outdoor living structure. Any higher structure must be designed by an engineer. Dimensions and information above are general recommendations only. Contact experts/engineers to validate the base preparation, the drainage, the plants & roots growth/management. The use of plastic shims can facilitate the installation of Artex panels in order to adapt to the slope of the site.

# ROOFTOP APPLICATIONS



PLANTER BOX - SECTION VIEW



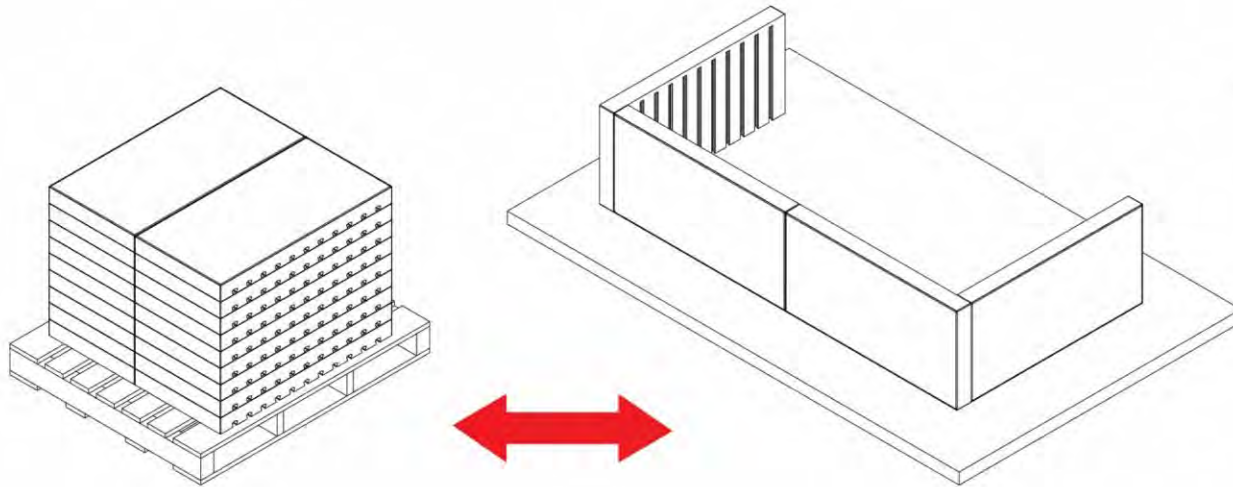
OUTDOOR LIVING STRUCTURE - SECTION VIEW

- A- ARTEX Panels
- B- Slab or Tile
- L- Pedestal

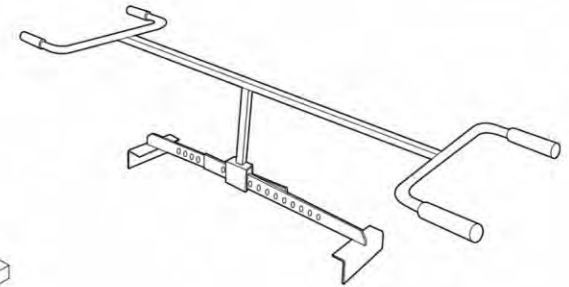
**IMPORTANT:** Contact experts/engineers for proper staging on existing rooftop surfaces.



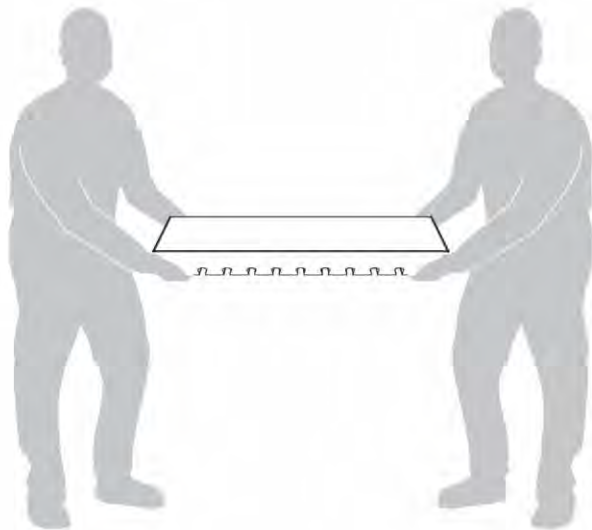
# HANDLING



Place pallet close to installation area.



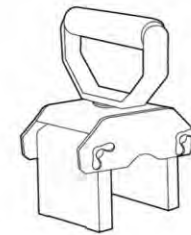
Recommended handling tool



Lift with two people or mechanical lifting device.



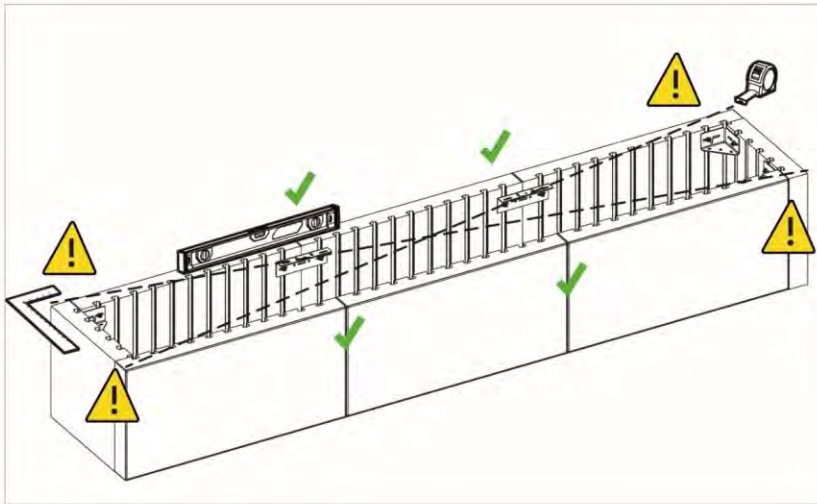
Use hand trolley if necessary.



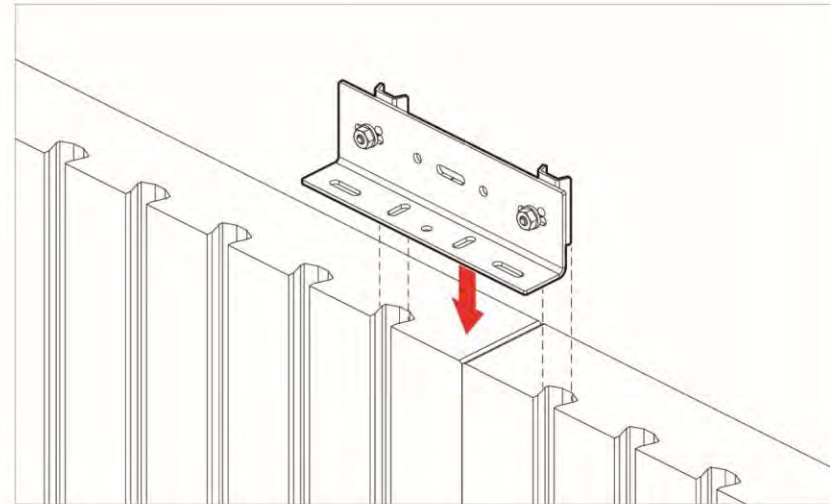
Recommended handling tool

# TIPS AND TRICKS

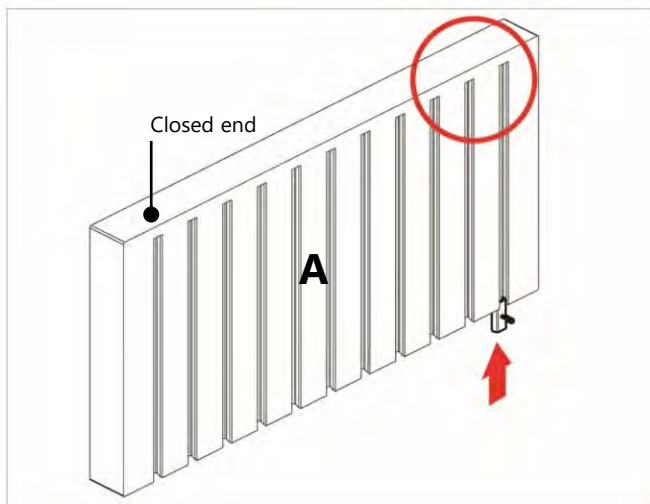
**#1** [General]: Ensure that all the panels are in place, levelled & aligned before fully tightening the hardware in the corners at the end of the installation.



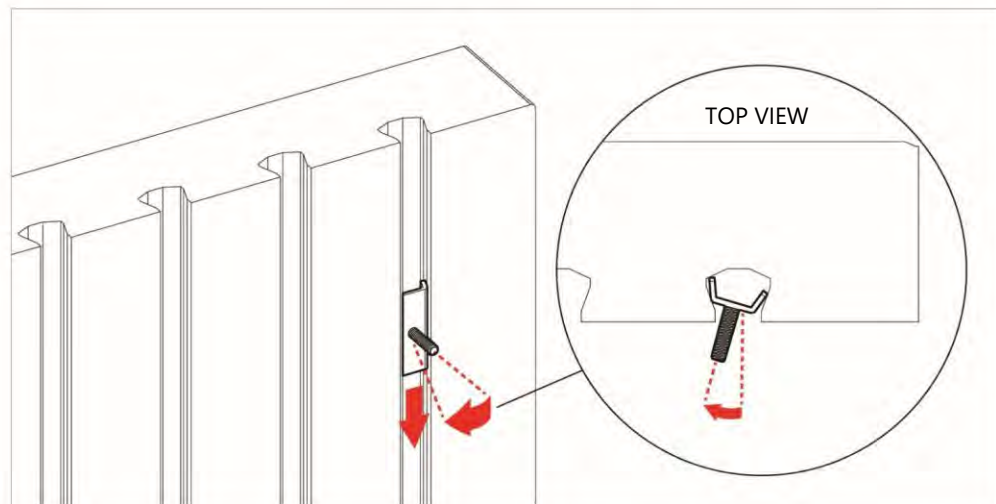
**#2** [General]: Pre-assemble hardware to facilitate its installation. Ensure that all the panels are in place, levelled & aligned before fully tightening the hardware at the end of the installation.



**#3** [Anchor slide]: Insert anchor slides from the bottom of the closed end panel (panel A) prior to its assembly.

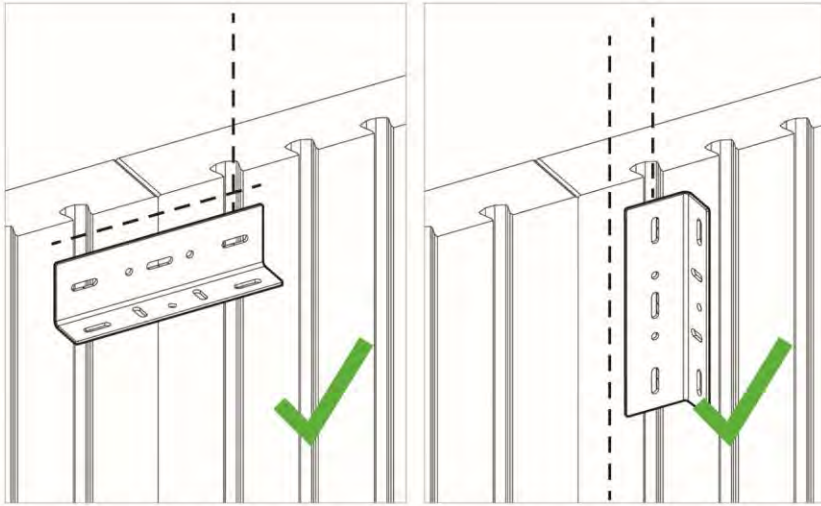


**#4** [Anchor slide]: Insert the anchor slide. Lock it into place to prevent it from sliding down and to facilitate assembly.

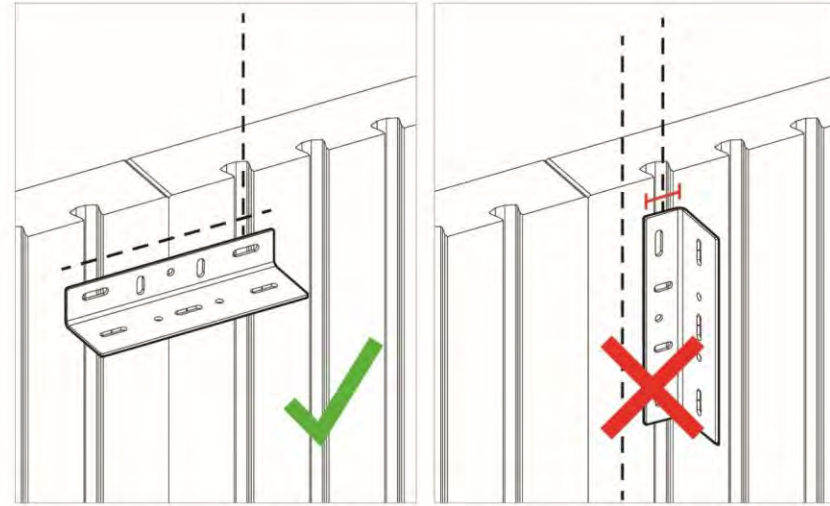


## TIPS AND TRICKS

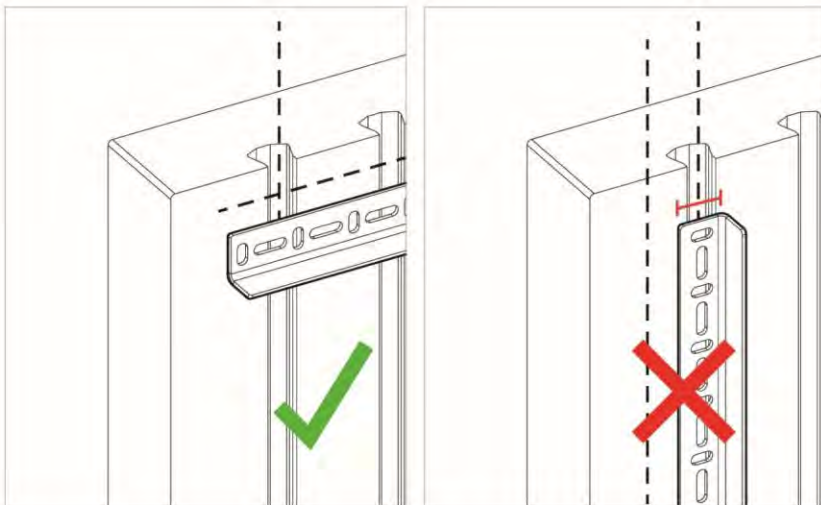
**#5** [Joining plate]: Use the larger tab of the joining plate when it is perpendicular or parallel to the dovetail slot. ✓



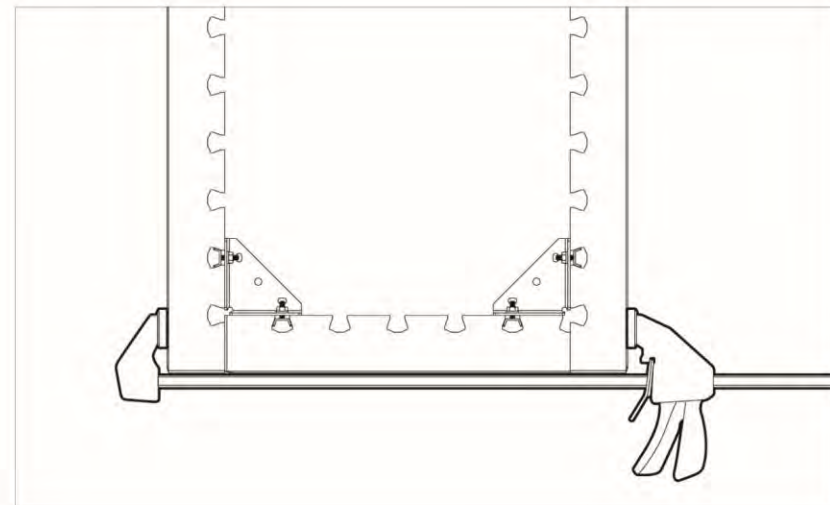
**#6** [Joining plate]: Only when the joining plate is perpendicular to the dovetail, the small tab can be used. Otherwise, the overlapping surface will be too narrow. ✗



**#7** [Stretcher bar]: Use the stretcher bar when it is perpendicular to the dovetail. Otherwise, the overlapping surface will be too narrow. ✓



**#8** [Bar Clamp]: Use the bar clamp to keep the panels in place and to facilitate the hardware installation.



## TIPS AND TRICKS

**#9** [General]: Secure the **Artforms** structure to the existing base by placing the hardware against it. Contact experts/engineers to validate the structure and any related matters.

